

**IMPORTANT**

1. Always include complete heater model and serial number so that any specification change can be considered for parts shipment. It can save time and expense.
2. Specifications subject to change without notice.
3. We reserve the right to substitute functional replacements.
4. Order by Part Number. **Do not** order by Option Number.



**XL, XLB, EEXL,  
EEXLB, CXL, CXLB,  
CEEXL, CEEXLB**

**PARTS FORM 727-7  
OBSOLETES FORM 727-6**

**REZNOR®** MERCER, PA. 16137

**APPLIES TO:**

**Service  
Data**

| <b>INDEX<br/>REFERENCE BY<br/>PAGE NUMBER</b>   | <b>XL</b> | <b>XLB</b> | <b>EEXL</b> | <b>EEXLB</b> | <b>CXL</b> | <b>CXLB</b> | <b>CEEXL</b> | <b>CEEXLB</b> |
|---|-----------|------------|-------------|--------------|------------|-------------|--------------|---------------|
| Blower and Components — Size 30-105             |           | 7          |             | 7            |            | 7           |              | 7             |
| Blower and Components — Size 125-400            |           | 8-9        |             | 8-9          |            | 8-9         |              | 8-9           |
| Blower Cabinet — Sizes 30-105                   |           | 21         |             | 21           |            | 21          |              |               |
| Burner Racks and Carryovers — Sizes 30-105      | 15        | 15         | 15          | 15           | 15         | 15          | 15           | 15            |
| Burner Racks and Carryovers — Sizes 125-400     | 16        | 16         | 16          | 16           | 16         | 16          | 16           | 16            |
| Cabinet Parts                                   | 4-5       | 4-5        | 4-5         | 4-5          | 4-5        | 4-5         | 4-5          | 4-5           |
| Drafthoods                                      | 4-5       | 4-5        | 4-5         | 4-5          | 4-5        | 4-5         | 4-5          | 4-5           |
| ECO Device                                      | 19        | 19         |             |              | 19         | 19          |              |               |
| Fan and Components                              | 6         |            | 6           |              | 6          |             | 6            |               |
| Fan Control                                     | 13, 19    | 13, 19     | 13, 19      | 13, 19       | 13, 19     | 13, 19      | 13, 19       | 13, 19        |
| Flue Baffle Assemblies — Sizes 30-105           | 5         | 5          |             |              | 5          | 5           |              |               |
| Hanger Kits                                     | 23        | 23         | 23          | 23           | 23         | 23          | 23           | 23            |
| Heat Exchangers Baffles                         | 14        | 14         | 14          | 14           | 14         | 14          | 14           | 14            |
| Heat Exchangers and Related Parts               | 12-13     | 12-13      | 12-13       | 12-13        | 12-13      | 12-13       | 12-13        | 12-13         |
| Limit Control                                   | 13, 19    | 13, 19     | 13, 19      | 13, 19       | 13, 19     | 13, 19      | 13, 19       | 13, 19        |
| Motors  | 6         | 7-9        | 6           | 7-9          | 6          | 7-9         | 6            | 7-9           |
| Outlet Box                                      | 19        | 19         | 19          | 19           | 19         | 19          | 19           | 19            |
| Outlet Nozzles                                  | 22        | 22         | 22          | 22           | 22         | 22          | 22           | 22            |
| Pilots  | 17-18     | 17-18      | 17-18       | 17-18        | 17-18      | 17-18       | 17-18        | 17-18         |
| Rating Plate                                    | 2         | 2          | 2           | 2            | 2          | 2           | 2            | 2             |
| Replacement Parts Tag                           | 2         | 2          | 2           | 2            | 2          | 2           | 2            | 2             |
| Serial Number Information                       | 2-3       | 2-3        | 2-3         | 2-3          | 2-3        | 2-3         | 2-3          | 2-3           |
| Summer-Winter Switch                            | 19        | 19         | 19          | 19           | 19         | 19          | 19           | 19            |
| Transformers (Control)                          | 20        | 20         | 20          | 20           | 20         | 20          | 20           | 20            |
| Transformers (KVA)                              | 20        | 20         | 20          | 20           | 20         | 20          | 20           | 20            |
| Valves (Shutoff)                                | 19        | 19         | 19          | 19           | 19         | 19          | 19           | 19            |
| Venter (Powered) and Components — Sizes 30-105  |           |            | 10          | 10           |            |             | 10           | 10            |
| Venter (Powered) and Components — Sizes 125-400 |           |            | 11          | 11           |            |             | 11           | 11            |
| Venter and Venter Adapters For Gravity Units    | 23        | 23         |             |              | 23         | 23          |              |               |

- Additional References:**
- Form 701, Replacement Pilots
  - Form 702, Replacement Thermostats
  - Form 703, Converting to Other Gases
  - Form 713, Replacement Fan and Limit Controls
  - Form 714, Replacement Gas Valves
  - Form 721, Venters and Adapters for Gravity Units
  - Form CP-14, Ignition Conversion G65 to G770
  - Form CP-15, Ignition Conversion G60AAG to G67/G770
  - Form CP-19, Ignition Conversion G60PFH to G770

**EXAMPLE OF A REPLACEMENT PARTS TAG**

## REZNOR

MERCER, PA 16137

**COMMON REPLACEMENT PARTS FOR:  
MODEL: CEEXL170-3  
SERIAL NUMBER: AMF62J7N35109**

---

**WHEN ORDERING PART, ALWAYS GIVE THE FULL MODEL NUMBER AND SERIAL NUMBER.**

|                           |        |
|---------------------------|--------|
| FAN OR BLOWER MOTOR ..... | 055681 |
| FAN BLADE .....           | 045946 |
| FAN CONTROL .....         | 093629 |
| LIMIT CONTROL .....       | 085449 |
| TRANSFORMER .....         | 050674 |
| PILOT .....               | 061145 |
| GAS VALVE .....           | 089370 |
| SPARK IGNITION .....      | 089314 |
| VENTER MOTOR .....        | 061069 |
| VENTER WHEEL .....        | 029791 |
| VENT RELAY (SPST) .....   | 014747 |
| PRESSURE SWITCH .....     | 061147 |
| HEAT EXCHANGER .....      | 094301 |

**WARNING**


ALL PARTS ARE FOR USE WITH THE FUEL IDENTIFIED ON THE UNIT RATING PLATE. IF THE UNIT HAS BEEN CONVERTED TO OTHER FUELS, CHECK WITH DEALER FOR PROPER FUEL-CARRYING PARTS. INSTALLATION OF IMPROPER PARTS CAN CAUSE DEATH OR INJURY OR PROPERTY LOSS.

Replacement parts tags are found on unit heaters manufactured after March 1986 (Code ALC). Replacement parts tags are for your convenience in identifying replacement part numbers. Always give the full Model No., Serial No., and Part No. when ordering replacement parts.

**EXAMPLE OF A RATING PLATE**

## REZNOR

MERCER, PA 16137



**UNIT HEATER**  
FOR INDUSTRIAL/COMMERCIAL USE. DESIGN CERTIFIED UNDER ANS Z83. 8 — 1985 UNIT HEATER

---

|                                       |                  |
|---------------------------------------|------------------|
| <b>MODEL CEEXL170-3</b>               | <b>JUNE 1987</b> |
| <b>SERIAL NUMBER AMF62J7N35109</b>    |                  |
| 115 VOLTS 1PH. 60 HZ MAX. TOTAL INPUT | 4.3 AMPS         |
| <b>TYPE OF GAS NATURAL</b>            |                  |

---

|                                    |               |
|------------------------------------|---------------|
| NORMAL INPUT                       | 170000 BTU/HR |
| THERMAL OUTPUT CAPACITY            | 136000 BTU/HR |
| MINIMUM INPUT (-2, -M, -MV MODELS) | BTU/HR        |
| NORMAL MANIFOLD PRESSURE           | 3.5 IN. W.C.  |
| MINIMUM GAS SUPPLY PRESSURE        | 5.0 IN. W.C.  |

---

**CLEARANCES TO COMBUSTIBLE CONSTRUCTION: TOP-6", FLUE CONNECTION- 6", LEFT SIDE-18", RIGHT SIDE-18", BOTTOM-12" EXCEPT WHEN SUPPLIED WITH OPT. DOWNTURN NOZZLE BOTTOM IS-42" INSTALLATION OF THIS HEATER IN PARKING STRUCTURES SHALL BE IN ACCORDANCE WITH NFPA NO. 88A-1985 STANDARD FOR PARKING STRUCTURES. IN REPAIR GARAGES IN ACCORDANCE WITH NFPA NO. 88B-1985 STANDARD FOR REPAIR GARAGES AND IN AIRCRAFT HANGARS IN ACCORDANCE WITH ANSI/NFPA NO. 409-1985 STANDARD FOR AIRCRAFT HANGARS.**

**THIS UNIT IS NOT FOR USE WITH DUCTS.  
THIS UNIT IS NOT FOR USE WITH FILTERS.**

**SERIAL NO. EXPLANATION**

|    |   |   |   |   |   |   |   |
|----|---|---|---|---|---|---|---|
| CA | 1 | 2 | N | 6 | 9 | 3 | Example of Serial Number for Units made from 1963 through 1974. Elements in Serial Numbers. |
| 1  | 2 | 3 | 4 |   | 5 |   |   |

|     |    |    |   |   |   |   |   |
|-----|----|----|---|---|---|---|---|
| ADA | 31 | A4 | N | 6 | 9 | 3 | Example of Serial Number for Units made starting in 1975. Elements in Serial Numbers. |
| 1   | 2  | 3  | 4 |   | 5 |   |   |

**ELEMENTS IN SERIAL NUMBER**

- Element 1:** Determine date of manufacture.
- Element 2:** To determine type of safety pilot or pilot system used.
- Element 3:** To determine type of electric valve used.
- Element 4:** Type of gas that heater was built to burn.  
D= Dual fuel, natural and propane  
L= Propane  
N= Natural
- Element 5:** Consecutive number of heater made. Used for identification purposes only.

**FIRST ELEMENT OF SERIAL NUMBER — DATE OF MANUFACTURE**

| YEAR | JAN. | FEB. | MAR. | APR. | MAY | JUNE | JULY | AUG. | SEPT. | OCT. | NOV. | DEC. |
|------|------|------|------|------|-----|------|------|------|-------|------|------|------|
| 1968 | TA   | TB   | TC   | TD   | TE  | TF   | TG   | TH   | TI    | TJ   | TK   | TL   |
| 1969 | UA   | UB   | UC   | UD   | UE  | UF   | UG   | UH   | UI    | UJ   | UK   | UL   |
| 1970 | VA   | VB   | VC   | VD   | VE  | VF   | VG   | VH   | VI    | VJ   | VK   | VL   |
| 1971 | WA   | WB   | WC   | WD   | WE  | WF   | WG   | WH   | WI    | WJ   | WK   | WL   |
| 1972 | XA   | XB   | XC   | XD   | XE  | XF   | XG   | XH   | XI    | XJ   | XK   | XL   |
| 1973 | YA   | YB   | YC   | YD   | YE  | YF   | YG   | YH   | YI    | YJ   | YK   | YL   |
| 1974 | ZA   | ZB   | ZC   | ZD   | ZE  | ZF   | ZG   | ZH   | ZI    | ZJ   | ZK   | ZL   |
| 1975 | AAA  | AAB  | AAC  | AAD  | AAE | AAF  | AAG  | AAH  | AAI   | AAJ  | AAK  | AAL  |
| 1976 | ABA  | ABB  | ABC  | ABD  | ABE | ABF  | ABG  | ABH  | ABI   | ABJ  | ABK  | ABL  |
| 1977 | ACA  | ACB  | ACC  | ACD  | ACE | ACF  | ACG  | ACH  | ACI   | ACJ  | ACK  | ACL  |
| 1978 | ADA  | ADB  | ADC  | ADD  | ADE | ADF  | ADG  | ADH  | ADI   | ADJ  | ADK  | ADL  |
| 1979 | AEA  | AEB  | AEC  | AED  | AEE | AEF  | AEG  | AEH  | AEI   | AEJ  | AEK  | AEL  |
| 1980 | AFA  | AFB  | AFC  | AFD  | AFE | AFF  | AFG  | AFH  | AFI   | AFJ  | AFK  | AFL  |
| 1981 | AGA  | AGB  | AGC  | AGD  | AGE | AGF  | AGG  | AGH  | AGI   | AGJ  | AGK  | AGL  |
| 1982 | AHA  | AHB  | AHC  | AHD  | AHE | AHF  | AHG  | AHH  | AHI   | AHJ  | AHK  | AHL  |
| 1983 | AIA  | AIB  | AIC  | AID  | AIE | AIF  | AIG  | AIH  | AII   | AIJ  | AIK  | AIL  |
| 1984 | AJA  | AJB  | AJC  | AJD  | AJE | AJF  | AJG  | AJH  | AJI   | AJJ  | AJK  | AJL  |
| 1985 | AKA  | AKB  | AKC  | AKD  | AKE | AKF  | AKG  | AKH  | AKI   | AKJ  | AKK  | AKL  |
| 1986 | *ALA | ALB  | ALC  | ALD  | ALE | ALF  | ALG  | ALH  | ALI   | ALJ  | ALK  | ALL  |
| 1987 | AMA  | AMB  | AMC  | AMD  | AME | AMF  | AMG  | AMH  | AMI   | AMJ  | AMK  | AML  |
| 1988 | ANA  | ANB  | ANC  | AND  | ANE | ANF  | ANG  | ANH  | ANI   | ANJ  | ANK  | ANL  |

\*Models XL, CXL, XLB, CXLB — 10-year limited warranty on heat exchangers began January 1986.  
 Models CEEXL, CEEXLB — 10-year limited warranty on heat exchangers and 5-year limited warranty on operational parts began January 1986.

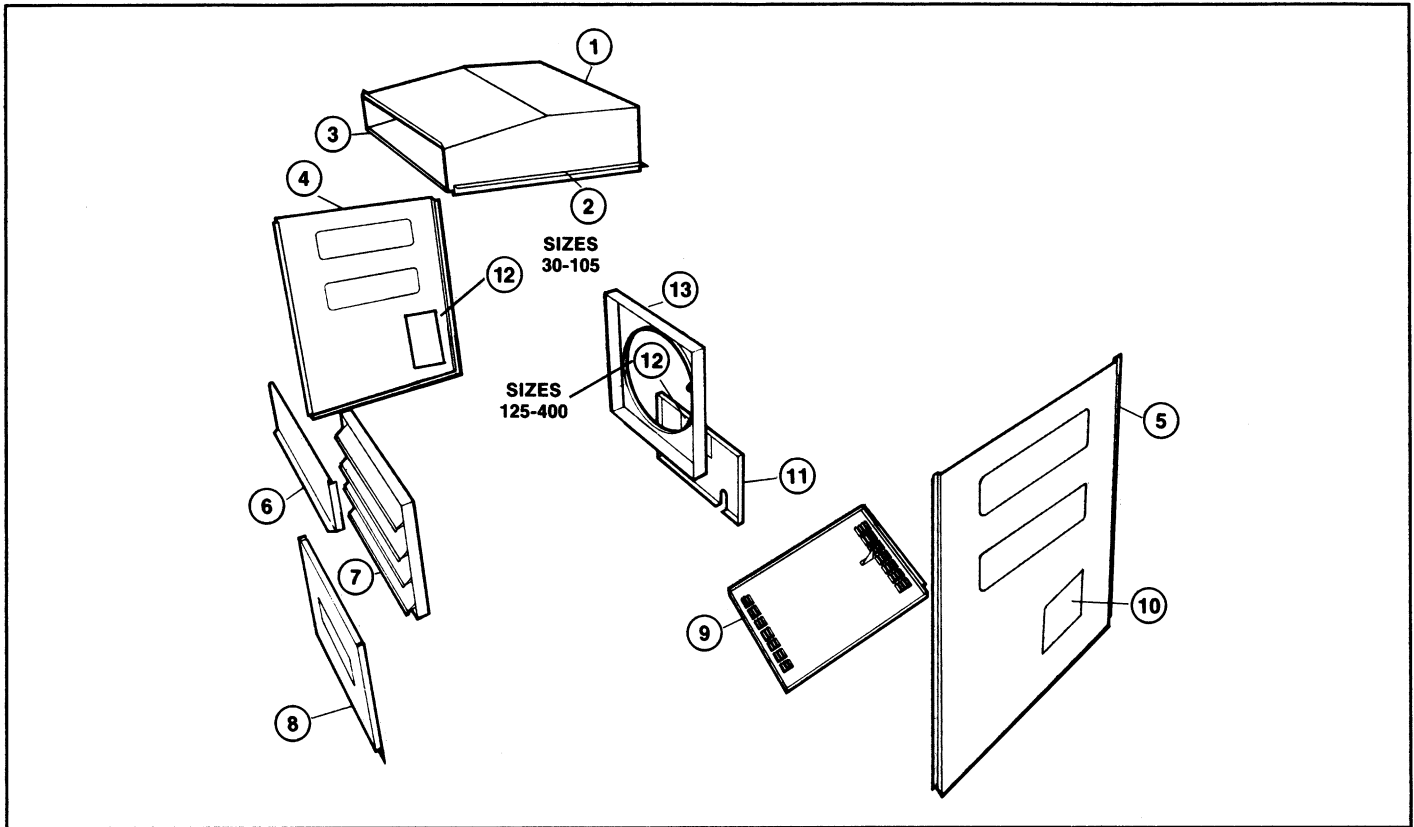
**INTRODUCTION DATES FOR MANUFACTURE OF SERIES 3 AND 5**

Series changes indicate when that Model was re-approved by either A.G.A. or C.G.A. Re-approvals sometimes change replacement parts. Models not listed have only been manufactured in one series to date.

| A.G.A.<br>Models | Date of Introduction                 |            | C.G.A.<br>Models | Dates of Introduction |             |
|------------------|--------------------------------------|------------|------------------|-----------------------|-------------|
|                  | Series 3                             | Series 5   |                  | Series 3              | Series 5    |
| XL30-105*        | AGI (9/81)                           | AMG (7/87) | XL45-105         | AHI (9/82)            |             |
| XL125-400        | AGI (9/81)                           | AMI (9/87) | XL125-400        | AHC (3/82)            | AMJ (10/87) |
| XLB30-105        | All units manufactured prior to 7/87 |            |                  |                       |             |
| XLB125-400       | AGI (9/81)                           | AJD (4/84) |                  |                       |             |
| CXL30-105        | All units manufactured prior to 7/87 |            |                  |                       |             |
| CXL140-400       | All units manufactured prior to 9/87 |            |                  |                       |             |
| CXLB30-105       | All units manufactured prior to 7/87 |            |                  |                       |             |
| CEEXL125-400     | All units manufactured prior to 9/86 |            |                  |                       |             |
| CEEXLB125-400    | All units manufactured prior to 9/86 |            |                  |                       |             |

\*XL45-1 manufactured between ADG (7/78) and AGI (9/81)

## BASIC EXTERIOR PARTS



Unless a specific model is indicated in the description, part numbers for basic exterior parts apply to all models.

| CODE | DESCRIPTION   | SIZE    |                             |                  |                  |                  |
|------|---|---------|-----------------------------|------------------|------------------|------------------|
|      |   | 30      | 45                          | 60               | 75               | 105              |
| 1    | Draft hood assembly for XL, XLB units               | 52594   | 52594<br>① 44709            | 47709<br>② 47719 | 64094<br>② 47721 | 64096<br>② 47724 |
| 1A   | Draft hood assembly for CXL, CXLB (not illustrated) | 86738   | 86738                       | 47709            | 86741            | 86744            |
| 1B   | Flue collection box, EEXL                           | 67855   | 67855                       | 67859            | 67861            | 67863            |
| 1C   | Flue collection box, CEEXL (not illustrated)        | 67855   | 87254                       | 87261            | 87267            | 87273            |
| 2    | Draft hood right angle XL, XLB, CXL, CXLB           | 47818   | 47818                       | 47818            | 47818            | 47818            |
| 3    | Draft hood left angle XL, XLB, CXL, CXLB            | 47714   | 47714                       | 47714            | 47714            | 47714            |
| 4    | Left side panel                                     | 47728   | 47728                       | 47728            | 47728            | 47728            |
| 5    | Right side panel                                    | 47731   | 47731                       | 47731            | 47731            | 47731            |
| 6    | Top front panel                                     | 52632   | 52632<br>① 47751            | 47751            | 47752            | 47753            |
| 7    | Horizontal louver frame with louvers                | 52600   | 52600<br>① 47743            | 47743            | 47747            | 47749            |
| 7A   | Vertical louver assembly                            | 54594   | 54594<br>① 49352            | 49352            | 49355            | 49357            |
| 8    | Bottom front panel                                  | 52597   | 52597<br>① 47734            | 47734            | 47737            | 47740            |
| 9    | Bottom pan only                                     | ④ 52589 | 52589<br>③ ④ 47698          | 47698            | 47700            | 47702            |
| 10   | Fan and limit access door                           | 82486   | 82486                       | 82486            | 82486            | 82486            |
| 11   | Control cover, sizes 125-400                        | N/A     | N/A                         | N/A              | N/A              | N/A              |
| 12   | Pilot cover plate                                   | 47766   | 47766                       | 47766            | 47766            | 47766            |
| 13   | Rear panel (fan back)                               | 52630   | 52630<br>④ 47754<br>③ 47755 | 67724<br>47755   | 67726<br>47756   | 67728<br>47757   |

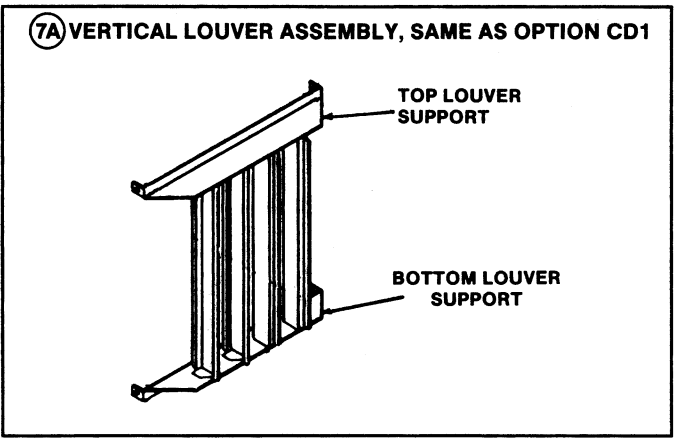
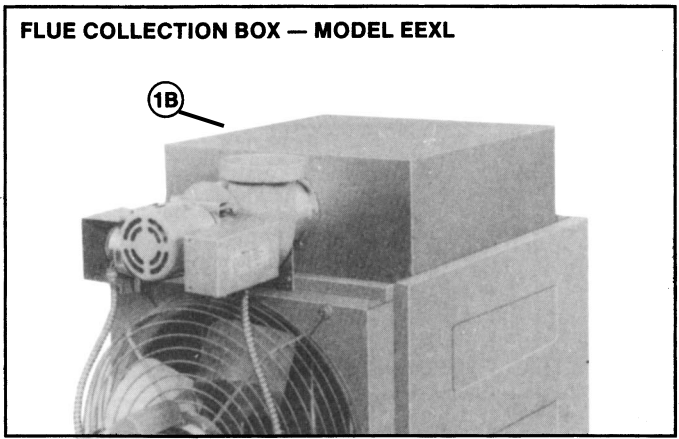
① Applies to A.G.A. XL45 prior to XL45 Series 1 and to C.G.A. XL45 prior to Series 3.

② Applies to models prior to XL Series 3.

③ Applies to C.G.A. XL45 prior to XL Series 3 with four burners.

④ Not available for XL30 with two burners and not available for XL45 prior to XL45 Series 1.



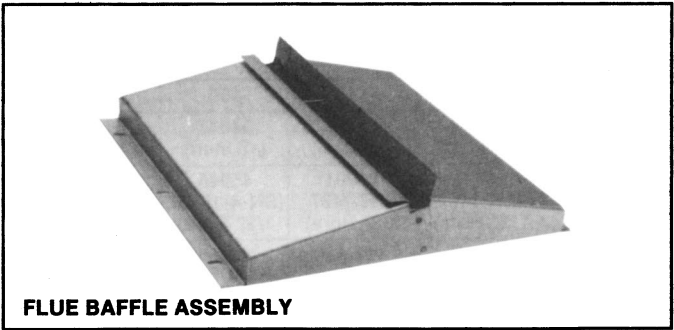


Unless a specific model is indicated in the description, part numbers for basic exterior parts apply to all models.

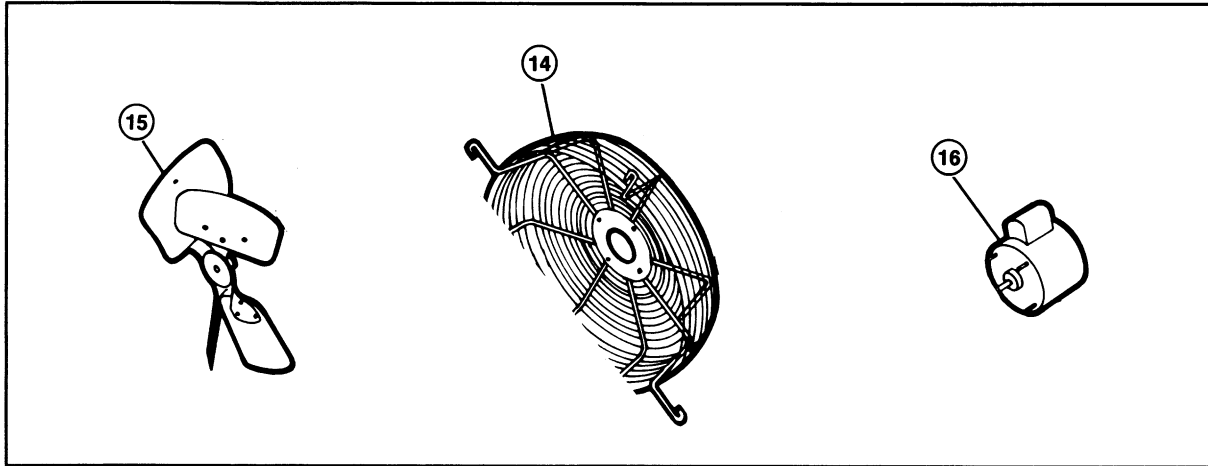
| CODE | SIZE  |       |       |       |       |       |       |       |       |       |
|------|-------|-------|-------|-------|-------|-------|-------|-------|-------|-------|
|      | 125   | 140   | 150   | 170   | 200   | 225   | 250   | 300   | 350   | 400   |
| 1    | 53112 | 45741 | 45755 | 45755 | 45763 | 52936 | 52944 | 45790 | 45798 | 45805 |
| 1A   | N/A   | 85015 | N/A   | 85022 | 85027 | 85033 | 85038 | 85042 | 85045 | 85051 |
| 1B   | 61024 | 61028 | N/A   | 61030 | 61033 | 61036 | 61039 | 61042 | 61045 | 61048 |
| 1C   | 87340 | 87346 | N/A   | 87350 | 87356 | 87362 | 87368 | 87374 | 87376 | 87378 |
| 2    | 45745 | 45745 | 45745 | 45745 | 45745 | 45745 | 45745 | 45745 | 45745 | 45745 |
| 3    | 45745 | 45745 | 45745 | 45745 | 45745 | 45745 | 45745 | 45745 | 45745 | 45745 |
| 4    | 45851 | 45851 | 45851 | 45851 | 45851 | 45851 | 45851 | 45851 | 45851 | 45851 |
| 5    | 61589 | 61589 | 61589 | 61589 | 61589 | 61589 | 61589 | 61589 | 61589 | 61589 |
| 6    | 48548 | 48548 | 48549 | 48549 | 48550 | 48551 | 48552 | 48553 | 48554 | 48555 |
| 7    | 45718 | 45718 | 45723 | 45723 | 45725 | 45727 | 45729 | 45731 | 45733 | 45735 |
| 7A   | 45425 | 45425 | 45426 | 45426 | 45427 | 45428 | 45429 | 45430 | 45431 | 45432 |
| 8    | 45691 | 45691 | 45693 | 45693 | 45695 | 45697 | 45699 | 45701 | 45703 | 45705 |
| 9    | 45682 | 45682 | 45684 | 45684 | 45685 | 45686 | 45687 | 45688 | 45689 | 45690 |
| 10   | 82486 | 82486 | 82486 | 82486 | 82486 | 82486 | 82486 | 82486 | 82486 | 82486 |
| 11   | 45854 | 45854 | 45856 | 45856 | 45858 | 45860 | 45862 | 45864 | 45866 | 45868 |
| 12   | 48652 | 48652 | 45737 | 45737 | 45737 | 45737 | 45737 | 45737 | 45737 | 45737 |
| 13   | 54631 | 54631 | 54634 | 54634 | 54636 | 85127 | 85129 | 54638 | 54640 | 85131 |

**FLUE BAFFLE ASSEMBLIES -**  
 Sizes 30-105 (Gravity Vented Units only)

| MODEL                   | SIZE  |                 |       |       |       |
|-------------------------|-------|-----------------|-------|-------|-------|
|                         | 30    | 45              | 60    | 75    | 105   |
| XL                      | 63046 | 52593<br>*64849 | 64849 | 64850 | 64851 |
| XLB                     | 63046 | 52593           | 80929 | 80932 | 80935 |
| CXL                     | 86733 | 86734           | 86735 | 86736 | 86737 |
| CXLB                    | 86733 | 87049           | 87052 | 87055 | 86764 |
| *XL45 prior to Series 1 |       |                 |       |       |       |



**FAN AND COMPONENTS USED ON XL, CXL, EEXL, CEEXL MODELS**



| CODE | DESCRIPTION   | SIZE  |   |   |                                      |                                     |
|------|---|---|---|---|--------------------------------------|-------------------------------------|
|      |   | 30  | 45  | 60                                      | 75                                   | 105                                 |
| 14   | Fan guard   | 52615<br>(9 inch)                                   | 52615<br>(9 inch)<br>① 47771<br>(12 inch)                                     | 47771<br>(12 inch)                      | 41469<br>(14 inch)                   | 41469<br>(14 inch)                  |
| 15   | Fan blade, USA models - For hi throw use, 15A.                      | 52617<br>(TORIN.<br>OUH 931-<br>5-CW<br>5/16" Bore) | 52617<br>(TORIN.<br>OUH 931-5<br>CW 5/16" Bore)<br>② 15061<br>(TL-12-27-3)    | 47785<br>(TL-12-32-3,<br>1/2" Bore)     | 17909<br>(TL-14-27-3,<br>1/2" Bore)  | 41004<br>(FR-1437<br>1/2" Bore)     |
| 15A  | Fan blade, Canadian models and Hi throw fan USA models.             | N/A   | 15061<br>(TL-12-27-3<br>5/16" Bore)   | 47785<br>(TL-12-32-3<br>1/2" Bore)      | 20697<br>(LAU-14-34-4,<br>1/2" Bore) | 41004<br>(SW-4-14-40<br>1/2" Bore)  |
| 16   | Motors 115 volt, USA models For hi throw use 16A.                   | 52616<br>(FASCO<br>1/30<br>5/16" Shaft)             | 52616<br>(FASCO<br>1/30, 5/16 Bore<br>② 45330<br>(West. 20 MHD<br>1/2" Shaft) | 45330<br>(West.<br>20MHP<br>1/2" Shaft) | 45331<br>(West. 1/40<br>1/2" Shaft)  | 55680<br>(West. 1/20<br>1/2" Shaft) |
| 16A  | Motors 115 volt, Canadian models and Hi throw fan motor USA models. | N/A   | 52616<br>(FASCO 1/30<br>5/16" Shaft)  | 45330<br>(West. 20MPH<br>1/2" Shaft)    | 45331<br>(West. 1/40<br>1/2" Shaft)  | 55680<br>(West. 1/20<br>1/2" Shaft) |

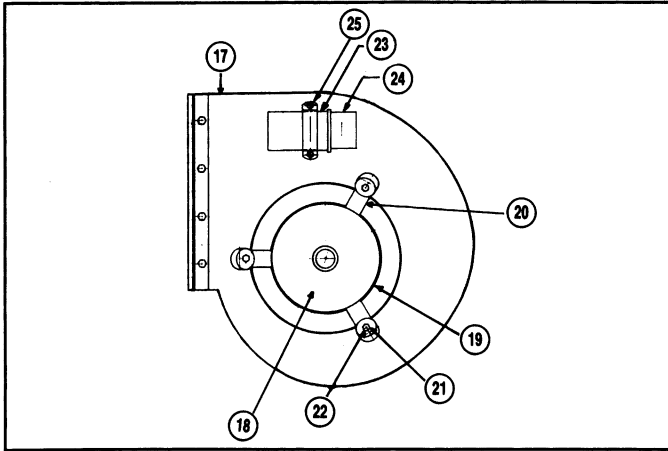
| CODE | SIZE                              |                                  |   |   |   |   |   |                                     |  |  |
|------|-----------------------------------|----------------------------------|---|---|---|---|---|-------------------------------------|--|--|
|      | 125                               | 140                              | 150   | 170   | 200   | 225   | 250   | 300                                 | 350  | 400  |
| 14   | 41469<br>(14 inch)                | 41469<br>(14 inch)               | 54647<br>(16 inch)                                | 54647<br>(16 inch)                                | 54647<br>(16 inch)                                | 45616<br>(18 inch)                                | 45616<br>(18 inch)                                | 41469(2)<br>(14 inch)               | 54647(2)<br>(16 inch)                                | 45616(2)<br>(18 inch)                                |
| 15   | 41004<br>(FR-1437<br>1/2" Bore)   | 41004<br>(FR-1437<br>1/2" Bore)  | 45946<br>(SN-4-16-36,<br>1/2" Bore)               | 45946<br>(SN-4-16-36,<br>1/2" Bore)               | 45608<br>(SN-4-16-40,<br>1/2" Bore)               | 12625<br>(FY 18-33<br>1/2" Bore)                  | 45609<br>(SN-4-18-40,<br>1/2" Bore)               | 41004(2)<br>(FR-1437,<br>1/2" Bore) | 45608(2)<br>(SW-4-16-40,<br>1/2" Bore)               | 12625(2)<br>FY 18-33<br>1/2" Bore)                   |
| 15A  | 48692<br>(S-11074<br>1/2" Bore)   | N/A                              | 45608<br>(SW-4-16-40,<br>1/2" Bore)               | 45608<br>(SW-4-16-40,<br>1/2" Bore)               | 48696<br>(Y08Y16-16-40,<br>1/2" Bore)             | 43211<br>(18 x 36<br>1/2" Bore)                   | 48699<br>(18-35<br>1/2" Bore)                     | 48692(2)<br>(S-11074<br>1/2" Bore)  | 48696(2)<br>(16-16-40<br>1/2" Bore)                  | 48701(2)<br>(18-1850<br>1/2" Bore)                   |
| 16   | 55680<br>West. 1/20<br>1/2" Shaft | 55681<br>West. 1/8<br>1/2" Shaft |   | 55681<br>West. 1/8<br>1/2" Shaft                  | 88781<br>West. 1/6<br>1/2" Shaft                  | 88781<br>West. 1/6<br>1/2" Shaft                  | 64679<br>West. 1/4<br>1/2" Shaft                  | 55681(2)<br>West. 1/8<br>1/2" Shaft | 88781(2)<br>Smith 1/6<br>1/2" Shaft                  | 88781(2)<br>Smith 1/6<br>1/2" Shaft                  |
| 16A  | 45888<br>West. 1/8<br>1/2" Shaft  | N/A                              | 115416<br>Universal 1/6<br>#HE3F320<br>1/2" Shaft | 115416<br>Universal 1/6<br>#HE3F320<br>1/2" Shaft | 115416<br>Universal 1/6<br>#HE3F320<br>1/2" Shaft | 115416<br>Universal 1/6<br>#HE3F320<br>1/2" Shaft | 115417<br>Universal 1/4<br>#HE3J221<br>1/2" Shaft | 45888(2)<br>Cent. 1/6<br>1/2" Shaft | 115416(2)<br>Universal 1/6<br>#HE3F320<br>1/2" Shaft | 115417(2)<br>Universal 1/4<br>#HE3J221<br>1/2" Shaft |

(P/N 115416 replaces P/N 45889; P/N 115417 replaces P/N 45891)

① Applies to A.G.A. XL 45 prior to XL Series 1 and to C.G.A. XL 45 prior to Series 3.

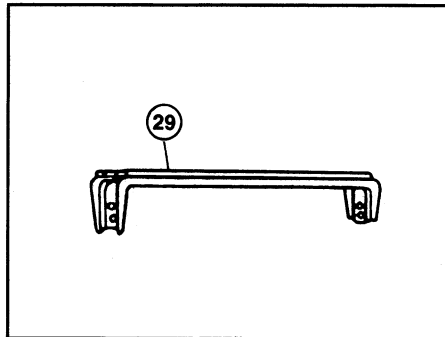
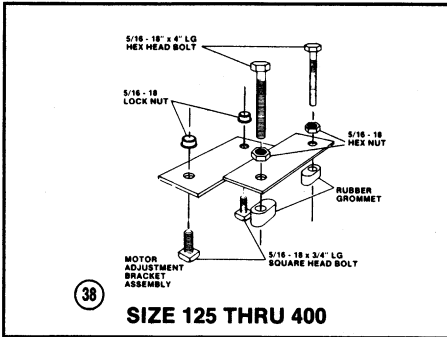
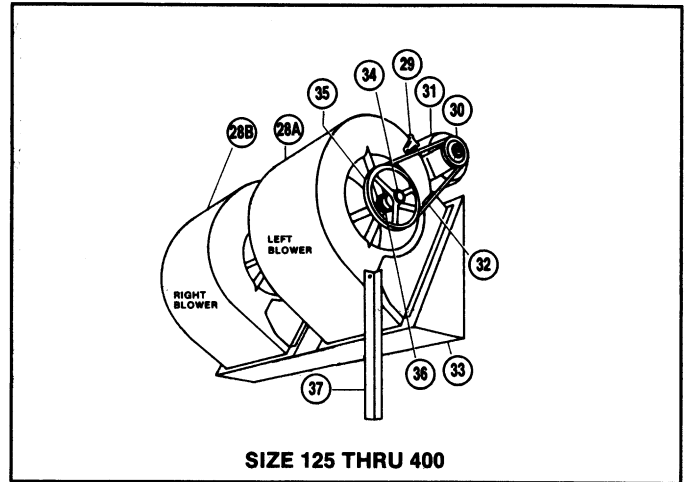
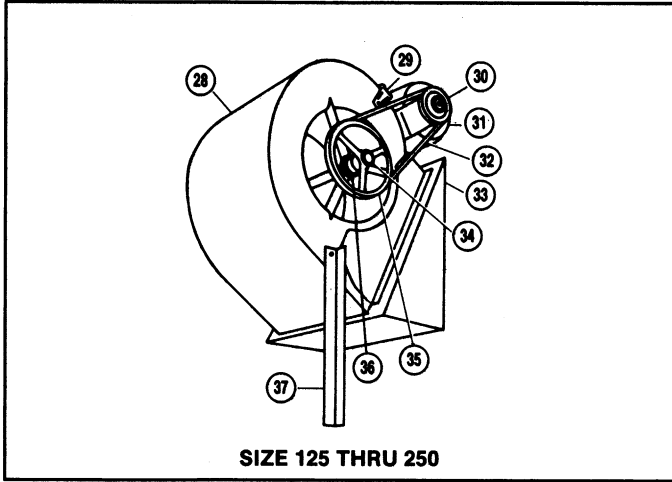
② Applies to A.G.A. XL 45 prior to XL Series 1.

**BLOWER AND COMPONENTS USED ON XLB, EEXLB, CXLB, CEEXLB 30 THRU 105**



| CODE | DESCRIPTION  | SIZE   |  |  |  |  |
|------|--|--|--|--|--|--|
|      |  | 30   | 45   | 60   | 75   | 105  |
| 17   | Blower for XLB, CXLB, EEXLB, CEEXLB 30 thru 105 (includes housing and wheel) | 82111  | 82111  | 82111  | 43607  | 43607  |
| 18   | Blower motor direct drive, 115V  | 100491<br>(1/6 HP)                                       | 100491<br>(1/6 HP)                                       | 100491<br>(1/6 HP)                                       | 100490<br>(1/3 HP)                                       | 100490<br>(1/3 HP)                                       |
| 19   | Blower motor mounting band   | 51221  | 51221  | 51221  | 51221  | 51221  |
| 20   | Blower motor support arm (3 required)  | 51223  | 51223  | 51223  | 51223  | 51223  |
| 21   | Washer 1 1/8" O.D. x 1/4" I.D., 20 Ga.                                       | 82450  | 82450  | 82450  | 82450  | 82450  |
| 22   | Screw #14 x 1 1/4" Lg.   | 82451  | 82451  | 82451  | 82451  | 82451  |
| 23   | Capacitor  | 101917<br>Ronken<br>#P71A12505K05<br>(replaces<br>43614) | 101917<br>Ronken<br>#P71A12505K05<br>(replaces<br>43614) | 101917<br>Ronken<br>#P71A12505K05<br>(replaces<br>43614) | 101918<br>Ronken<br>#P91A12755K05<br>(replaces<br>82095) | 101918<br>Ronken<br>#P91A12755K05<br>(replaces<br>82095) |
| 24   | Capacitor end cap  | 82113  | 82113  | 82113  | 82113  | 82113  |
| 25   | Capacitor strap bracket  | 82114  | 82114  | 82114  | 82114  | 82114  |
| 26   | Blower adapter back assembly (includes baffle)                               | 80949  | 80949  | 80957  | 80957  | 80957  |

**BLOWER COMPONENTS USED ON XLB, EEXLB 125 THRU 400 AND CXLB, CEEXLB 140 THRU 400**



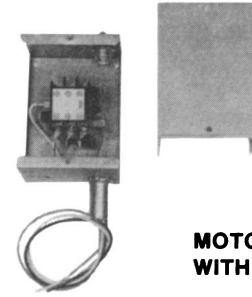
| CODE | DESCRIPTION  | SIZE                              |                                |                               |                               |                                |                                |                                |                         |                         |
|------|--|-----------------------------------|--------------------------------|-------------------------------|-------------------------------|--------------------------------|--------------------------------|--------------------------------|-------------------------|-------------------------|
|      |  | 125                               | 140                            | 170                           | 200                           | 225                            | 250                            | 300                            | 350                     | 400                     |
| 27   | Belt Guard   | 38530                             | 38530                          | 38535                         | 38535                         | 38535                          | 38535                          | 38539                          | 38539                   | 38539                   |
| 28   | Blower including shaft, bearings, housing, & wheel | 1357 Lau A10-10AC                 | 1357 Lau A10-10AC              | 1360 Lau A12-12AC             | 1360 Lau A12-12AC             | 1360 Lau A12-12AC              | 50232 Lau 027172-01            | N/A                            | N/A                     | N/A                     |
| 28A  | Left Blower  | N/A                               | N/A                            | N/A                           | N/A                           | N/A                            | N/A                            | 53094 Lau 027173-01            | 53094 Lau 027173-01     | 53096 Lau 027173-02     |
| 28B  | Right Blower                                       | N/A                               | N/A                            | N/A                           | N/A                           | N/A                            | N/A                            | 53098 Lau 027174-01            | 53098 Lau 027174-01     | 53100 Lau 027174-02     |
|      |  | Do not include shaft and bearings |                                |                               |                               |                                |                                |                                |                         |                         |
| 29   | Blower motor mounting bracket                      | 44409                             | 44409                          | 44410                         | 44410                         | 44410                          | 44410                          | 44410                          | 44410                   | 44410                   |
| 29A  | Rubber Feet and Hardware                           | N/A                               | N/A                            | N/A                           | N/A                           | N/A                            | N/A                            | 64940                          | 64940                   | 64940                   |
| 30   | Motor pulley, adjustable                           | 13491 Browning IVL40-1/2          | 13491 Browning IVL40-1/2       | 13580 Browning IVL34-5/8      | 13580 Browning IVL34-5/8      | 7962 Browning IVL40-5/8        | 7962 Browning IVL40-5/8        | 13580 Browning IVL40-5/8       | 7962 Browning IVL40-5/8 | 7962 Browning IVL40-5/8 |
| 31   | Motor — 115/1/60 CEEXLB                            | 93546 West. 1/3 HP                | 93546 West. 1/3 HP             | 93547 West. 1/2 HP            | 93547 West. 1/2 HP            | 93548 West. 3/4 HP             | 93548 West. 3/4 HP             | 93548 West. 3/4 HP             | 13685 West. 1 HP        | N/A                     |
|      | 115/1/60 XLB                                       | 93545 West. 1/4 HP                | 93545 West. 1/4 HP             | 93546 West. 1/3 HP            | 93546 West. 1/3 HP            | 93547 West. 1/2 HP             | 93547 West. 1/2 HP             | 93548 West. 3/4 HP             | 13685 West. 1 HP        | 13685 West. 1 HP        |
|      | 115/1/60 CXLB                                      | N/A                               | 93546 West. 1/3 HP             | 93547 West. 1/2 HP            | 93547 West. 1/2 HP            | 93548 West. 3/4 HP             | 93548 West. 3/4 HP             | 93548 West. 3/4 HP             | 13685 West. 1 HP        | 13685 West. 1 HP        |
|      | 115/1/60 CEEXLB and EEXLB — Canadian               | 115861 (Replaces 13450) 1/3 HP    | 115861 (Replaces 13450) 1/3 HP | 31273 Gould 1/2 HP            | 31273 Gould 1/2 HP            | 115860 (Replaces 10463) 3/4 HP | 115860 (Replaces 10463) 3/4 HP | 115860 (Replaces 10463) 3/4 HP | 43270 Gould 1 HP        | 43270 Gould 1 HP        |
|      | 208/1/60 CEEXLB                                    | 115862 (Replaces 7802) 1/3 HP     | 115862 (Replaces 7802) 1/3 HP  | 93547 West. 1/2 HP            | 93547 West. 1/2 HP            | 93548 West. 3/4 HP             | 93548 West. 3/4 HP             | 93548 West. 3/4 HP             | 13685 West. 1 HP        | N/A                     |
|      | 208/1/60 XLB                                       | 115790 (Replaces 85087) 1/4 HP    | 115790 (Replaces 85087) 1/4 HP | 115862 (Replaces 7802) 1/3 HP | 115862 (Replaces 7802) 1/3 HP | 93547 West. 1/2 HP             | 93547 West. 1/2 HP             | 93548 West. 3/4 HP             | 13685 West. 1 HP        | 13685 West. 1 HP        |
|      | 208/1/60 CXLB                                      | N/A                               | 115682 (Replaces 7802) 1/3 HP  | 93547 West. 1/2 HP            | 93547 West. 1/2 HP            | 93548 West. 3/4 HP             | 93548 West. 3/4 HP             | 93548 West. 3/4 HP             | 13685 West. 1 HP        | 13685 West. 1 HP        |

27 **BELT GUARD XLB 125**  
Same as Option AZ6.



Support feet are removed for shipping and must be field installed.

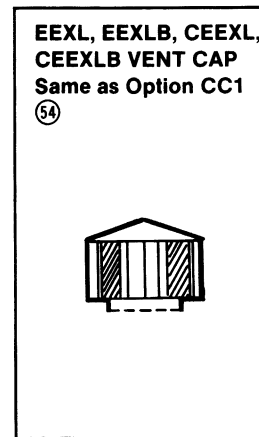
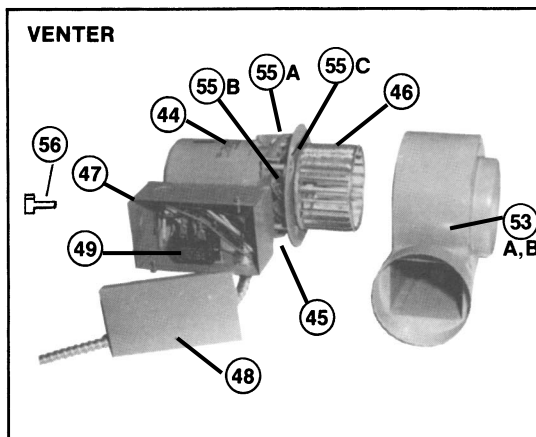
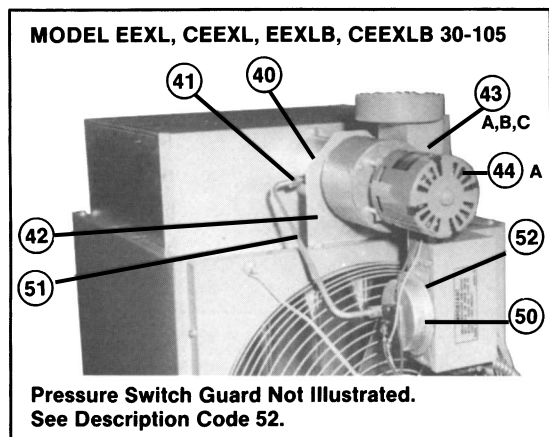
**CODE 39**



**MOTOR CONTACTOR WITH COVER REMOVED**

| CODE | DESCRIPTION   | SIZE   |                                      |                                     |                                     |                                      |                                      |                                      |                                     |  |
|------|---|--|--------------------------------------|-------------------------------------|-------------------------------------|--------------------------------------|--------------------------------------|--------------------------------------|-------------------------------------|--|
|      |   | 125  | 140                                  | 170                                 | 200                                 | 225                                  | 250                                  | 300                                  | 350                                 | 400                                    |
| 31   | Motor —230/1/60 CEEXLB  | 115862<br>(Replaces 7802)<br>1/3 HP  | 115862<br>(Replaces 7802)<br>1/3 HP  | 93547<br>West.<br>1/2 HP            | 93547<br>West.<br>1/2 HP            | 93548<br>West.<br>3/4 HP             | 93548<br>West.<br>3/4 HP             | 93548<br>West.<br>3/4 HP             | 13685<br>West.<br>1 HP              | 4082<br>Gould<br>1-1/2 HP              |
|      | 230/1/60 XLB  | 115790<br>(replaces 85087)<br>1/4 HP   | 115790<br>(replaces 85087)<br>1/4 HP | 115862<br>(replaces 7802)<br>1/2 HP | 115862<br>(replaces 7802)<br>1/2 HP | 93547<br>West.<br>1/2 HP             | 93547<br>West.<br>1/2 HP             | 93548<br>West.<br>3/4 HP             | 13685<br>West.<br>1 HP              | 13685<br>West.<br>1 HP                 |
|      | 230/1/60 EEXLB and CEEXLB Canadian                                  | 31273<br>Gould<br>1/2 HP   | 31273<br>Gould<br>1/2 HP             | 31273<br>Gould<br>1/2 HP            | 31273<br>Gould<br>1/2 HP            | 115860<br>(Replaces 10463)<br>1/2 HP | 115860<br>(Replaces 10463)<br>1/2 HP | 115860<br>(Replaces 10463)<br>1/2 HP | 43270<br>Gould<br>1 HP              | 43270<br>Gould<br>1 HP                 |
|      | 208/3/60 CEEXLB   | 13443<br>Gould<br>1/2 HP   | 13443<br>Gould<br>1/2 HP             | 13443<br>Gould<br>1/2 HP            | 13443<br>Gould<br>1/2 HP            | 36951<br>West.<br>3/4 HP             | 36951<br>West.<br>3/4 HP             | 36951<br>West.<br>3/4 HP             | 36580<br>West.<br>1 HP              | 115859<br>(Replaces 16081)<br>1-1/2 HP |
|      | 208/3/60 XLB, CXLB  | 13443<br>Gould<br>1/2 HP   | 13443<br>Gould<br>1/2 HP             | 13443<br>Gould<br>1/2 HP            | 13443<br>Gould<br>1/2 HP            | 13443<br>Gould<br>1/2 HP             | 13443<br>Gould<br>1/2 HP             | 36951<br>West.<br>3/4 HP             | 36580<br>West.<br>1 HP              | 36580<br>West.<br>1 HP                 |
|      | 208/3/60 EEXLB and CEEXLB Canadian                                  | 16077<br>Gould<br>1/2 HP   | 16077<br>Gould<br>1/2 HP             | 16077<br>Gould<br>1/2 HP            | 16077<br>Gould<br>1/2 HP            | 20371<br>Gould<br>3/4 HP             | 20371<br>Gould<br>3/4 HP             | 20371<br>Gould<br>3/4 HP             | 16080<br>Gould<br>1 HP              | 16080<br>Gould<br>1 HP                 |
|      | 230/3/60 CEEXLB   | 13443<br>Gould<br>1/2 HP   | 13443<br>Gould<br>1/2 HP             | 13443<br>Gould<br>1/2 HP            | 13443<br>Gould<br>1/2 HP            | 36951<br>West.<br>3/4 HP             | 36951<br>West.<br>3/4 HP             | 36951<br>West.<br>3/4 HP             | 36580<br>West.<br>1 HP              | 115859<br>(replaces 16081)<br>1 1/2 HP |
|      | 208/3/60 XLB, CXLB  | 13443<br>Gould<br>1/2 HP   | 13443<br>Gould<br>1/2 HP             | 13443<br>Gould<br>1/2 HP            | 13443<br>Gould<br>1/2 HP            | 13443<br>Gould<br>1/2 HP             | 13443<br>Gould<br>1/2 HP             | 36951<br>West.<br>3/4 HP             | 36580<br>West.<br>1 HP              | 36580<br>West.<br>1 HP                 |
|      | 230/3/60 EEXLB and CEEXLB Canadian                                  | 16077<br>Gould<br>1/2 HP   | 16077<br>Gould<br>1/2 HP             | 16077<br>Gould<br>1/2 HP            | 16077<br>Gould<br>1/2 HP            | 20371<br>Gould<br>3/4 HP             | 20371<br>Gould<br>3/4 HP             | 20371<br>Gould<br>3/4 HP             | 16080<br>Gould<br>1 HP              | 16080<br>Gould<br>1 HP                 |
|      | 480/3/60 CEEXLB   | 13443<br>Gould<br>1/2 HP   | 13443<br>Gould<br>1/2 HP             | 13443<br>Gould<br>1/2 HP            | 13443<br>Gould<br>1/2 HP            | 36951<br>West.<br>3/4 HP             | 36951<br>West.<br>3/4 HP             | 36951<br>West.<br>3/4 HP             | 36580<br>West.<br>1 HP              | 115859<br>(Replaces 16081)<br>1 1/2 HP |
|      | 460/3/60 XLB, CXLB  | 13443<br>Gould<br>1/2 HP   | 13443<br>Gould<br>1/2 HP             | 13443<br>Gould<br>1/2 HP            | 13443<br>Gould<br>1/2 HP            | 13443<br>Gould<br>1/2 HP             | 13443<br>Gould<br>1/2 HP             | 36951<br>West.<br>3/4 HP             | 36580<br>West.<br>1 HP              | 36580<br>West.<br>1 HP                 |
|      | 480/3/60 EEXLB and CEEXLB Canadian                                  | 16077<br>Gould<br>1/2 HP   | 16077<br>Gould<br>1/2 HP             | 16077<br>Gould<br>1/2 HP            | 16077<br>Gould<br>1/2 HP            | 20371<br>Gould<br>3/4 HP             | 20371<br>Gould<br>3/4 HP             | 20371<br>Gould<br>3/4 HP             | 16080<br>Gould<br>1 HP              | 16080<br>Gould<br>1 HP                 |
| 32   | V-Belts   | 6184<br>Browning<br>4L440  | 6184<br>Browning<br>4L440            | 52966<br>Browning<br>A44            | 52966<br>Browning<br>A44            | 7808<br>Browning<br>4L480            | 7808<br>Browning<br>4L480            | 52966<br>Browning<br>A44             | 7808<br>Browning<br>4L480           | 7808<br>Browning<br>4L480              |
| 33   | Blower mounting adapter back assembly (All sizes require only one.) | 67619  | 67619                                | 67622                               | 67625                               | 67628                                | 67631                                | 67632                                | 67635                               | 67636                                  |
| 34   | Blower shaft, shafts supplied in longer lengths, cut off excess     | 11302<br>3/4"x17 3/4"  | 11302<br>3/4"x17 3/4"                | 11303<br>1"x19"                     | 11303<br>1"x19"                     | 11303<br>1"x19"                      | 11303<br>1"x19"                      | 10121<br>1"x34"                      | 10121<br>1"x39 1/4"                 | 10121<br>1"x44 5/8"                    |
| 35   | Blower pulley   | 50455<br>Browning<br>SAK<br>80-3/4"  | 50455<br>Browning<br>SAK<br>80-3/4"  | 50460<br>Browning<br>SAK<br>70-1"   | 50460<br>Browning<br>SAK<br>70-1"   | 50458<br>Browning<br>SAK<br>80-1"    | 50458<br>Browning<br>SAK<br>80-1"    | 50460<br>Browning<br>SAK<br>70-1"    | 50458<br>Browning<br>SAK<br>80-1"   | 50458<br>Browning<br>SAK<br>80-1"      |
| 36   | Blower bearings (Ball)  | 7310(2)<br>Sealmaster<br>SCR-3/4"  | 7310(2)<br>Sealmaster<br>SCR-3/4"    | 10437(2)<br>Sealmaster<br>SCR-16-1" | 10437(2)<br>Sealmaster<br>SCR-16-1" | 10437(2)<br>Sealmaster<br>SCR-16-1"  | 10437(2)<br>Sealmaster<br>SCR-16-1"  | 10437(2)<br>Sealmaster<br>SCR-16-1"  | 10437(2)<br>Sealmaster<br>SCR-16-1" | 10437(2)<br>Sealmaster<br>SCR-16-1"    |
| 37   | Shipping foot — not required for operation                          |  |                                      |                                     |                                     |                                      |                                      |                                      |                                     |  |
| 38   | Motor adjustment bracket assembly                                   | 44411  | 44411                                | 44411                               | 44411                               | 44411                                | 44411                                | 44411                                | 44411                               | 44411                                  |
| 39A  | Motor contactor assembly for 115 volt unit (115V holding coil)      | Available on sizes 125-300 as is required for your application. (Contactor may be manufactured by either Gould or Furnas.) |                                      |                                     |                                     |                                      |                                      |                                      | 95527                               | 95527                                  |
| 39B  | Motor contactor assembly for 230 volt unit (230V holding coil)      |  |                                      |                                     |                                     |                                      |                                      |                                      | 95528                               | 95528                                  |
| 39C  | Motor contactor assembly for 460 volt unit (24V holding coil)       |  |                                      |                                     |                                     |                                      |                                      |                                      | 95526                               | 95526                                  |

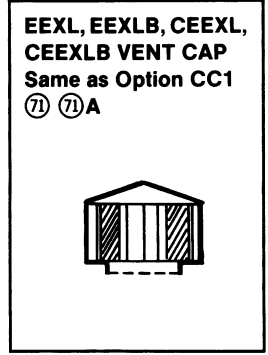
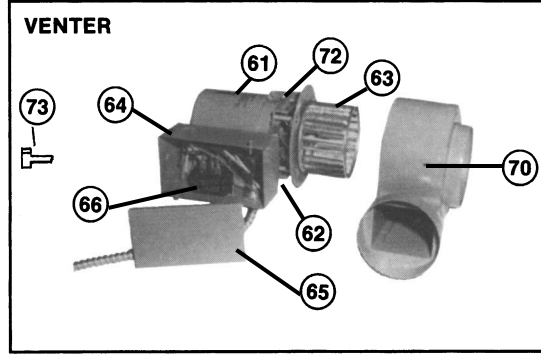
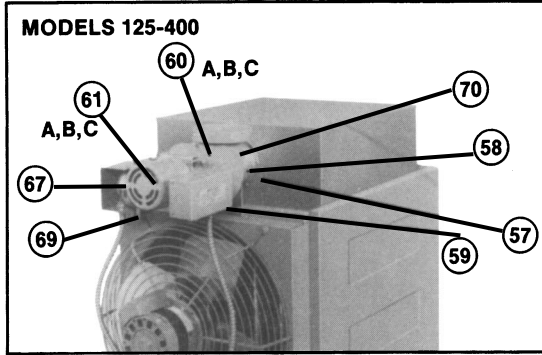
## VENTERS AND COMPONENTS USED ON EEXL, CEEXL, EEXLB, CEEXLB 30-105



| CODE | DESCRIPTION   | SIZE      |           |                 |                 |                 |
|------|---|-----------|-----------|-----------------|-----------------|-----------------|
|      |   | 30        | 45        | 60              | 75              | 105             |
| 40   | Exhaust pipe assembly only  | 67993     | 67993     | 67993           | 67993           | 67993           |
| 41   | Compression fitting   | 1436(2)   | 1436(2)   | 1436(2)         | 1436(2)         | 1436(2)         |
| 42   | Venter support  | 68033     | 68033     | 68033           | 68033           | 68033           |
| 43   | Venter assembly complete. 115 volt. <b>Less</b> pressure switch, <b>less</b> pressure switch tubing, <b>less</b> venter support — EEXL  | 68269     | 68270     | 68270<br>74362* | 68271<br>74365* | 68272<br>74367* |
| 43A  | Same as 43 — CEEXL  | 68269     | 68270     | 68270           | 68271           | 68271           |
| 43B  | Same as 43 — EEXLB  | 82011     | 82016     | 82016           | 82018           | 82020           |
| 43C  | Same as 43 — CEEXLB   | 82011     | 87232     | 87232           | 82019           | 82019           |
| 44   | Venter motor only, 115 volt — EEXL, CEEXL   | 68002     | 68002     | 68002<br>61069* | 68002<br>61069* | 68002<br>61069* |
| 44A  | Venter motor only, 115 volt — EEXLB, CEEXLB   | 61069     | 61069     | 61069           | 61069           | 61069           |
| 45   | Venter fan blade  | 68005     | 68005     | 68005           | 68005           | 68005           |
| 46   | Venter blower wheel   | 68006     | 68006     | 68006           | 68006           | 68006           |
| 47   | Venter junction box   | 68008     | 68008     | 68008           | 68008           | 68008           |
| 48   | Venter junction box cover   | 29596     | 29596     | 29596           | 29596           | 29596           |
| 49   | Venter relay  | 14747     | 14747     | 14747           | 14747           | 14747           |
| 50   | Pressure switch   | 68031     | 68031     | 68031           | 68031           | 68031           |
| 51   | Pressure switch tubing, with two male fittings  | 68035     | 68035     | 68035           | 68035           | 68035           |
| 52   | Pressure switch guard used on size 30 — 105 (Not illustrated).  | 65162     | 65162     | 65162           | 65162           | 65162           |
| 53A  | Venter blower housing with outlet collar  | 67998     | 67998     | 67998           | 67998           | 67998           |
| 53B  | Inlet collar only for venter blower housing   | 67995     | 67995     | 67995           | 67995           | 67995           |
| 54   | Vent cap — EEXL, EEXLB, CEEXL, CEEXLB   | 110051-4" | 110051-4" | 110051-4"       | 110051-4"       | 110051-4"       |
| 55A  | Bracket   | 68003     | 68003     | 68003           | 68003           | 68003           |
| 55B  | Nuts  | 45947(4)  | 45947(4)  | 45947(4)        | 45947(4)        | 45947(4)        |
| 55C  | Spacers (Hex Pins)  | 68004(4)  | 68004(4)  | 68004(4)        | 68004(4)        | 68004(4)        |
| 56   | Fuseholder assembly — Canadian units only. Located in venter junction box on EEXL, EEXLB models. In main junction box on XLB models. Mounted near control transformer on XL models. | 60241     | 60241     | 60241           | 60241           | 60241           |

\*For CGA certified EEXL models.

**VENTERS AND COMPONENTS USED ON EEXL, CEEXL, EEXLB, CEEXLB 125-400**

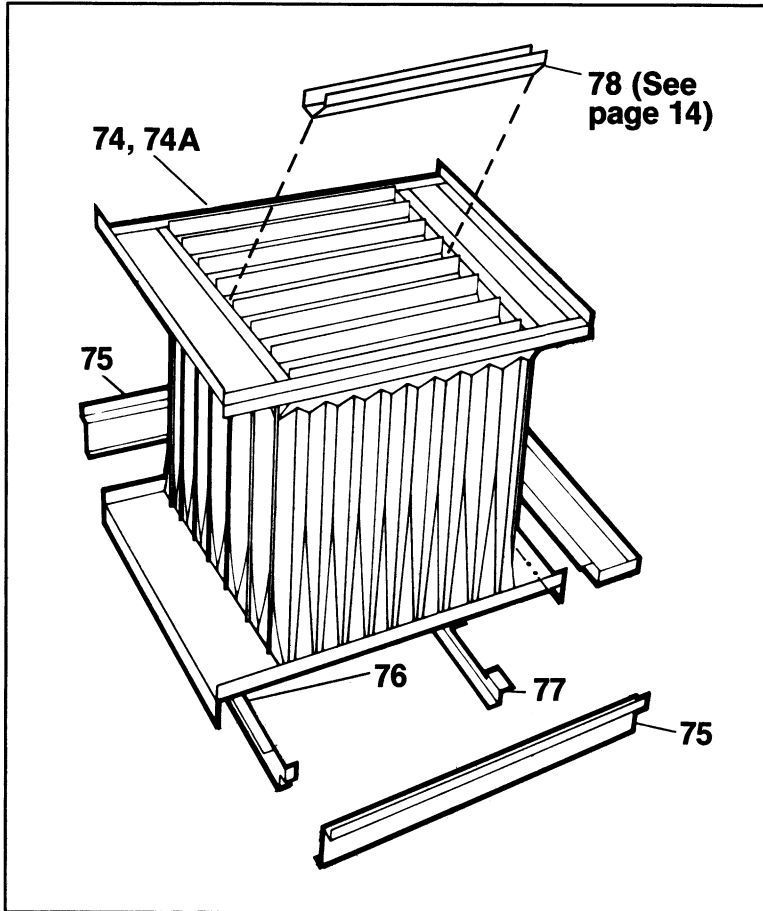


| CODE | DESCRIPTION  | CODE | DESCRIPTION  |
|------|--|------|--|
| 57   | Exhaust collar and pipe assembly with 1/4 tube x 1/8 pipe fitting and spoiler where required. — EEXL                                   | 61B  | Venter motor only, 208 volt — EEXLB, CEEXLB  |
| 57A  | Same as 57 — EEXLB   | 61C  | Venter motor only, 230 volt — EEXLB, CEEXLB  |
| 57B  | Same as 57 — CEEXL   | 62   | Venter fan blade   |
| 57C  | Same as 57 — CEEXLB  | 63   | Venter blower wheel  |
| 58   | Compression Fitting  | 64   | Venter junction box  |
| 59   | Venter support angle (not illustrated).  | 65   | Venter junction box cover  |
| 59A  | Venter support — size 125-250. Requires 59.  | 66   | Venter relay   |
| 60   | Venter assembly complete. 115 volt. <b>Less</b> pressure switch, <b>less</b> pressure switch tubing, <b>less</b> venter support — EEXL | 67   | Pressure switch  |
| 60A  | Same as 60 — EEXLB   | 68   | Pressure switch tubing (not illustrated)   |
| 60B  | Same as 60 — CEEXL   | 69   | Pressure switch mounting bracket   |
| 60C  | Same as 60 — CEEXLB  | 70   | Venter blower housing  |
| 61   | Venter motor only, 115 volt — EEXL, CEEXL  | 71   | Vent cap — EEXL, EEXLB   |
| 61A  | Venter motor only, 115 volt — EEXLB, CEEXLB  | 71A  | Vent cap — CEEXL, CEEXLB   |
|      |  | 72   | Bracket  |
|      |  | 73   | Fuseholder assembly — Canadian units only. Located in venter junction box on EEXL, EEXLB models. |

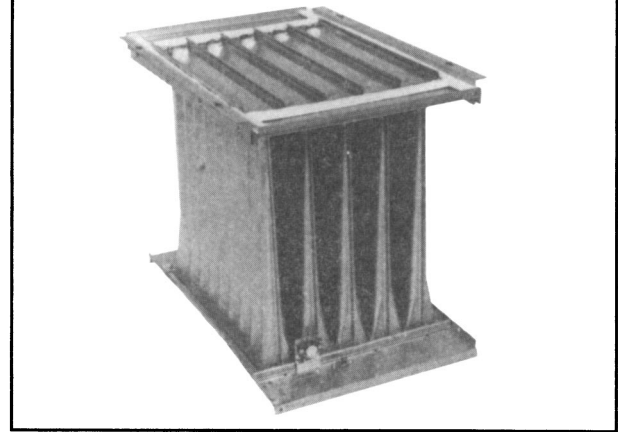
| CODE | SIZE      |           |           |           |           |           |           |           |           |           |
|------|-----------|-----------|-----------|-----------|-----------|-----------|-----------|-----------|-----------|-----------|
|      | 125       | 140       | 150       | 170       | 200       | 225       | 250       | 300       | 350       | 400       |
| 57   | 61051     | 61051     | 61051     | 61051     | 61051     | 61054     | 61051     | 61056     | 61056     | 61056     |
| 57A  | 61051     | 61051     | 61051     | 61051     | 61051     | 61054     | 61051     | 61779     | 61779     | 61779     |
| 57B  | 87326     | 87329     | 87326     | 87326     | 87326     | 87330     | 87326     | 87332     | 87335     | 95660     |
| 57C  | 87326     | 87329     | 87326     | 87326     | 87326     | 87330     | 87326     | 87337     | 87339     | 95681     |
| 58   | 1436(2)   | 1436(2)   | 1436(2)   | 1436(2)   | 1436(2)   | 1436(2)   | 1436(2)   | 1436(2)   | 1436(2)   | 1436(2)   |
| 59   | 62544     | 62544     | 62544     | 62544     | 62544     | 62544     | 62544     | 62497     | 62497     | 62497     |
| 59A  | 62545     | 62545     | 62545     | 62545     | 62545     | 62545     | 62545     | N/A       | N/A       | N/A       |
| 60   | 61063     | 61063     | 61063     | 61063     | 61063     | 61071     | 61071     | 61074     | 61074     | 61074     |
| 60A  | 61063     | 61063     | N/A       | 61063     | 61063     | 61071     | 61071     | 61074     | 61074     | 61074     |
| 60B  | 61063     | 61063     | 61071     | 61071     | 61071     | 61071     | 61071     | 61074     | 61074     | 61074     |
| 60C  | 61063     | 61063     | 61071     | 61071     | 61071     | 61071     | 61071     | 61074     | 61074     | 62820     |
| 61   | 61069     | 61069     | 61069     | 61069     | 61069     | 61069     | 61069     | 87434★    | 87434★    | 87434★    |
| 61A  | 61069     | 61069     | 61069     | 61069     | 61069     | 61069     | 61069     | 87434★    | 87434★    | 87434★    |
| 61B  | 62814     | 62814     | 62814     | 62814     | 62814     | 62814     | 62814     | 30249     | 30249     | 30249     |
| 61C  | 62814     | 62814     | 62814     | 62814     | 62814     | 62814     | 62814     | 29571     | 29571     | 29571     |
| 62   | 29793     | 29793     | 29793     | 29793     | 29793     | 29793     | 29793     | 29793     | 29793     | 29793     |
| 63   | 29791     | 29791     | 29791     | 29791     | 29791     | 29791     | 29791     | 29792     | 29792     | 29792     |
| 64   | 29595     | 29595     | 29595     | 29595     | 29595     | 29595     | 29595     | 29595     | 29595     | 29595     |
| 65   | 29596     | 29596     | 29596     | 29596     | 29596     | 29596     | 29596     | 29596     | 29596     | 29596     |
| 66   | 14747     | 14747     | 14747     | 14747     | 14747     | 14747     | 14747     | 14747     | 14747     | 14747     |
| 67   | 61147     | 61147     | 61147     | 61147     | 61147     | 61147     | 61147     | 61147     | 61147     | 61147     |
| 68   | 61163     | 61163     | 61163     | 61163     | 61163     | 61163     | 61163     | 61164     | 61164     | 61164     |
| 69   | 61070     | 61070     | 61070     | 61070     | 61070     | 61070     | 61070     | 61070     | 61070     | 61070     |
| 70   | 61064     | 61064     | 61072     | 61072     | 61072     | 61072     | 61072     | 61075     | 61075     | 61075     |
| 71   | 110051-4" | 110051-4" | 110051-4" | 110051-4" | 110051-4" | 110052-5" | 110052-5" | 110053-6" | 110053-6" | 110053-6" |
| 71A  | 110051-4" | 110051-4" | 110052-5" | 110052-5" | 110052-5" | 110052-5" | 110052-5" | 110053-6" | 110053-6" | 110053-6" |
| 72   | 31393     | 31393     | 31393     | 31393     | 31393     | 31393     | 31393     | 31393     | 31393     | 31393     |
| 73   | 60241     | 60241     | 60241     | 60241     | 60241     | 60241     | 60241     | 60241     | 60241     | 60241     |

★Does not include capacitor, P/N 87435.

## REPLACEMENT HEAT EXCHANGERS AND RELATED INTERNAL BODY PARTS



**Codes 74, 74A — Heat Exchanger Assembly  
(Size 125-400)**

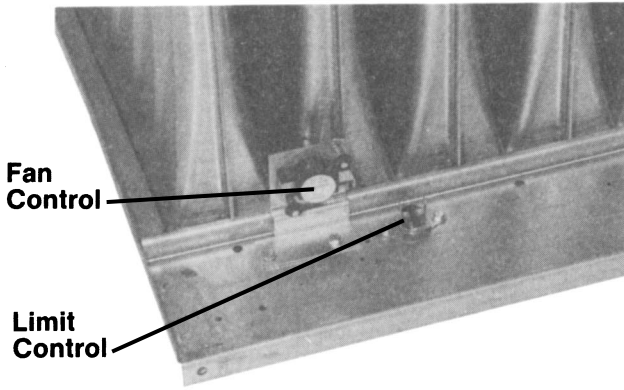


| CODE | DESCRIPTION  | MODELS        | SIZE     |          |                       |          |          |
|------|--|---------------|----------|----------|-----------------------|----------|----------|
|      |  |               | 30       | 45       | 60                    | 75       | 105      |
| 74   | Aluminized Heat Exchanger Assembly. For Models 30-105, the number in parenthesis after the part number is the number of tubes. Heat exchangers for Models 125-400 include fan and limit control factory installed for the specific model heater. Control settings are shown in parenthesis below the part numbers. Drafthood gaskets are included in Models 125-400. | XL, CXL, EEXL | 52571(3) | 52571(3) | 51278(4)*<br>47680(4) | 47683(5) | 47686(7) |
|      |  | CEEXL         | 52571(3) | 52571(3) | 51278(4)*<br>47680(4) | 47683(5) | 47686(7) |
|      |  | XLB, CXLB     | 80941(3) | 80941(3) | 51278(4)              | 47683(5) | 47686(7) |
|      |  | CEEXLB        | 80941(3) | 80941(3) | 51278(4)              | 47683(5) | 47686(7) |
|      |  | EEXLB         | 80941(3) | 80941(3) | 51278(4)              | 47683(5) | 47686(7) |
| 74A  | Stainless Steel (409) Heat Exchanger Assembly. For Models 30-105, the number in parenthesis is the number of tubes. Heat exchangers for Models 125-400 include fan and limit controls factory installed for specific model heater. Control settings are shown in parenthesis below the part numbers. Drafthood gaskets are included in Models 125-400.               | XL, CXL, EEXL | 80784(3) | 80784(3) | 80786(4)*<br>80788(4) | 80790(5) | 80792(7) |
|      |  | CEEXL         | 80784(3) | 80784(3) | 80786(4)*<br>80788(4) | 80790(5) | 80792(7) |
|      |  | XLB, CXLB     | 82239(3) | 82239(3) | 80786(4)              | 80790(5) | 80792(7) |
|      |  | CEEXLB        | 82239(3) | 82239(3) | 80786(4)              | 80790(5) | 80792(7) |
|      |  | EEXLB         | 82239(3) | 82239(3) | 80786(4)              | 80790(5) | 80792(7) |

\*Applies to C.G.A. units.

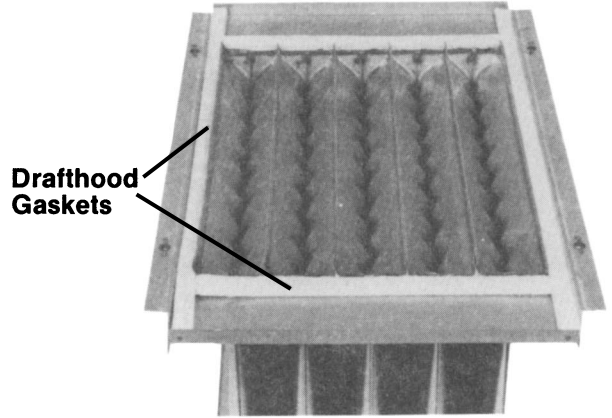


**Heat Exchanger Assembly (Codes 74 and 74A)  
Showing Fan and Limit Controls**



|               | Setting | P/N   |
|---------------|---------|-------|
| Fan Control   | 150°    | 93629 |
|               | 170°    | 93631 |
| Limit Control | 160°    | 82091 |
|               | 180°    | 45602 |
|               | 200°    | 85449 |

**Heat Exchanger Assembly (Codes 74 and 74A)  
Showing Draffhood Gaskets**



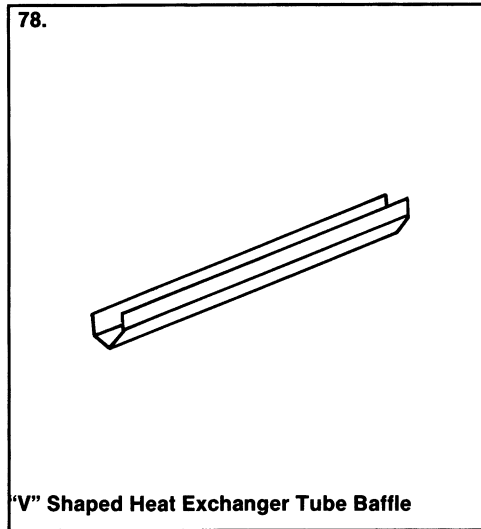
| Size     | Draffhood Gaskets |       |     |       |
|----------|-------------------|-------|-----|-------|
|          | No.               | P/N   | No. | P/N   |
| 125, 140 | 2                 | 85472 | 2   | 62922 |
| 150, 170 | 2                 | 85472 | 2   | 62923 |
| 200      | 2                 | 85472 | 2   | 62924 |
| 225      | 2                 | 85472 | 2   | 62925 |
| 250      | 2                 | 85472 | 2   | 62926 |
| 300      | 2                 | 85472 | 2   | 62927 |
| 350      | 2                 | 85472 | 2   | 62929 |
| 400      | 2                 | 85472 | 2   | 62931 |

| CODE        | MODELS                      | SIZES                    |                          |                          |                          |                          |                          |                          |                          |                          |                          |
|-------------|-----------------------------|--------------------------|--------------------------|--------------------------|--------------------------|--------------------------|--------------------------|--------------------------|--------------------------|--------------------------|--------------------------|
|             |                             | 125                      | 140                      | 150                      | 170                      | 200                      | 225                      | 250                      | 300                      | 350                      | 400                      |
| 74          | XL, CXL, EEXL               | 94292<br>(F150,<br>L180) | 94292<br>(F150,<br>L180) | 94293<br>(F150,<br>L180) | 94293<br>(F150,<br>L180) | 94294<br>(F150,<br>L180) | 94295<br>(F150,<br>L180) | 94296<br>(F150,<br>L180) | 94297<br>(F150,<br>L180) | 94298<br>(F150,<br>L180) | 94299<br>(F150,<br>L180) |
|             | CEEXL                       | 94300<br>(F150,<br>L200) | 94300<br>(F150,<br>L200) | 94301<br>(F150,<br>L200) | 94301<br>(F150,<br>L200) | 94294<br>(F150,<br>L180) | 94295<br>(F150,<br>L180) | 94296<br>(F150,<br>L180) | 94302<br>(F150,<br>L200) | 94303<br>(F150,<br>L200) | 94304<br>(F150,<br>L200) |
|             | XLB, CXLB                   | 94305<br>(F170,<br>L200) | 94305<br>(F170,<br>L200) | N/A                      | 94306<br>(F170,<br>L200) | 94307<br>(F170,<br>L180) | 94308<br>(F170,<br>L180) | 94309<br>(F170,<br>L160) | 94310<br>(F150,<br>L160) | 94311<br>(F150,<br>L160) | 94312<br>(F150,<br>L160) |
|             | CEEXLB                      | 94305<br>(F170,<br>L200) | 94305<br>(F170,<br>L200) | N/A                      | 94306<br>(F170,<br>L200) | 94313<br>(F170,<br>L200) | 94314<br>(F170,<br>L200) | 94315<br>(F170,<br>L200) | 94316<br>(F150,<br>L180) | 94317<br>(F150,<br>L180) | 94318<br>(F150,<br>L180) |
|             | EEXLB                       | 94292<br>(F150,<br>L180) | 94292<br>(F150,<br>L180) | N/A                      | 94293<br>(F150,<br>L180) | 94294<br>(F150,<br>L180) | 94295<br>(F150,<br>L180) | 94296<br>(F150,<br>L180) | 94316<br>(F150,<br>L180) | 94317<br>(F150,<br>L180) | 94318<br>(F150,<br>L180) |
| 74A         | XL, CXL, EEXL               | 94319<br>(F150,<br>L180) | 94319<br>(F150,<br>L180) | 94320<br>(F150,<br>L180) | 94320<br>(F150,<br>L180) | 94321<br>(F150,<br>L180) | 94322<br>(F150,<br>L180) | 94323<br>(F150,<br>L180) | 94324<br>(F150,<br>L180) | 94325<br>(F150,<br>L180) | 94326<br>(F150,<br>L180) |
|             | CEEXL                       | 94327<br>(F150,<br>L200) | 94327<br>(F150,<br>L200) | 94328<br>(F150,<br>L200) | 94328<br>(F150,<br>L200) | 94321<br>(F150,<br>L200) | 94322<br>(F150,<br>L180) | 94323<br>(F150,<br>L180) | 94329<br>(F150,<br>L200) | 94330<br>(F150,<br>L200) | 94331<br>(F150,<br>L200) |
|             | XLB, CXLB                   | 94332<br>(F170,<br>L200) | 94332<br>(F170,<br>L200) | N/A                      | 94333<br>(F170,<br>L200) | 94334<br>(F170,<br>L180) | 94335<br>(F170,<br>L180) | 94336<br>(F170,<br>L160) | 94337<br>(F150,<br>L160) | 94338<br>(F150,<br>L160) | 94339<br>(F150,<br>L160) |
|             | CEEXLB                      | 94332<br>(F170,<br>L200) | 94332<br>(F170,<br>L200) | N/A                      | 94333<br>(F170,<br>L200) | 94340<br>(F170,<br>L200) | 94341<br>(F170,<br>L200) | 94342<br>(F170,<br>L200) | 94343<br>(F150,<br>L180) | 94344<br>(F150,<br>L180) | 94345<br>(F150,<br>L180) |
|             | EEXLB                       | 94319<br>(F150,<br>L180) | 94319<br>(F150,<br>L180) | N/A                      | 94320<br>(F150,<br>L180) | 94321<br>(F150,<br>L200) | 94322<br>(F150,<br>L180) | 94323<br>(F150,<br>L180) | 94343<br>(F150,<br>L180) | 94344<br>(F150,<br>L180) | 94345<br>(F150,<br>L180) |
| <b>CODE</b> | <b>DESCRIPTION</b>          |                          |                          |                          |                          |                          |                          |                          |                          |                          |                          |
| 75          | Left and Right Side Support | 45628(2)                 | 45628(2)                 | 45628(2)                 | 45628(2)                 | 45628(2)                 | 45628(2)                 | 45628(2)                 | 45628(2)                 | 45628(2)                 | 45628(2)                 |
| 76          | Rear Burner Support         | 45632                    | 45632                    | 45639                    | 45639                    | 45646                    | 45653                    | 45660                    | 45667                    | 45674                    | 45681                    |
| 77          | Baffle                      | 46217                    | 46217                    | 46218                    | 46218                    | 46219                    | 46220                    | 46221                    | 46222                    | 46223                    | 46224                    |

Models CXL, CXLB, CEEXLB are also equipped with "V" shaped tube baffles. When replacing heat exchangers in these models, check to see if the "V" baffle can be salvaged. If they cannot be salvaged, it will be necessary to order "V" type baffles, Code No. 78, page 14.

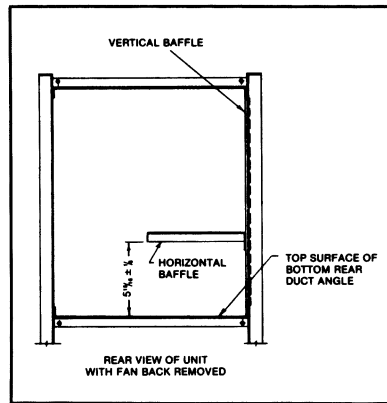
If replacement heat exchangers are for Canadian Models, see Code No. 79, page 14.

## 78. HEAT EXCHANGER "V" SHAPED TUBE BAFFLE



| Heat Exchanger "V" Shaped Tube Baffles           |           |           |                             |
|--|-----------|-----------|-----------------------------|
| SIZE   | MODELS    |           |                             |
|  | CXL       | CXLB      | CEEXL, CEEXLB               |
|  | P/N       | P/N       | P/N                         |
| 30   | N/A       | N/A       | N/A                         |
| 45   | N/A       | 86676(3)  | 86676(3)                    |
| 60   | N/A       | 86676(4)  | 86676(4)                    |
| 75   | N/A       | 86676(5)  | 86676(5)                    |
| 100  | N/A       | N/A       | N/A                         |
| 105  | N/A       | 86676(7)  | 86676(7)                    |
| 125  | N/A       | N/A       | N/A                         |
| 140  | 85727(5)  | 85727(5)  | 85727(5)                    |
| 150  | N/A       | N/A       | N/A                         |
| 170  | 85727(6)  | 85727(6)  | 85727(6)                    |
| 175  | N/A       | N/A       | N/A                         |
| 200  | 85727(7)  | 85727(7)  | 85727(7)                    |
| 225  | 85727(8)  | 85727(8)  | 85727(8)                    |
| 250  | 85727(9)  | 85727(9)  | *87207(9)                   |
| 300  | 85727(11) | 85727(11) | *87207(11)                  |
| 350  | 85727(13) | 85727(13) | *87207(13)                  |
| 400  | 85727(15) | 85727(15) | *87207(15)                  |
| <b>Number in Parenthesis is number required.</b> |           |           | <b>N/A = Not Applicable</b> |
| <b>**"V" baffle with turbulator</b>              |           |           |                             |

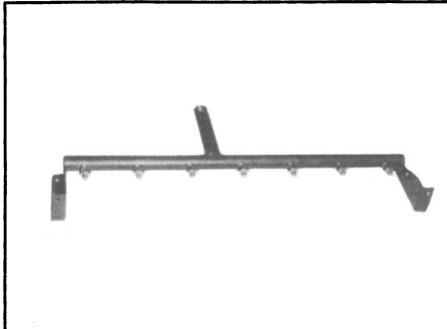
## 79. HEAT EXCHANGER BAFFLES FOR CANADIAN MODELS



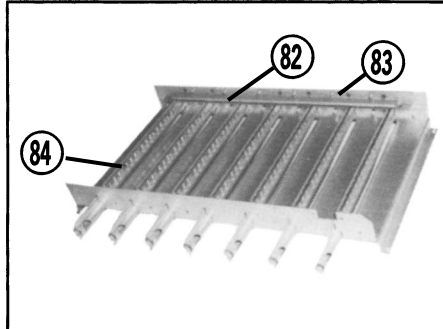
Canadian XL 125 through 400 units were originally equipped with a vertical baffle and a horizontal baffle, as shown below. When replacing heat exchangers on Canadian XL units, check to see if the vertical and horizontal baffles can be salvaged. If not, it will be necessary to order these baffles as indicated below and to field-install same in the replacement heat exchanger, as they cannot be factory installed.

|            | SIZE |       |       |       |       |       |       |       |       |       |
|------------|------|-------|-------|-------|-------|-------|-------|-------|-------|-------|
|            |      | 125   | 150   | 170   | 200   | 225   | 250   | 300   | 350   | 400   |
| Vertical   | P/N  | 48533 | 48533 | 48533 | 48533 | 48533 | 48533 | 48537 | 48537 | 48537 |
| Horizontal | P/N  | 48534 | 48535 | 48535 | 48534 | 48534 | 48534 | 48534 | 48534 | 48534 |

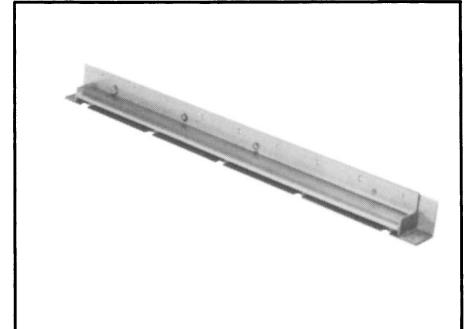
**BURNER RACK AND COMPONENTS FOR XL, XLB, EEXL, EEXLB, CXL, CXLB, CEEXL, CEEXLB 30 thru 105**



Example of Manifold w/Burner Orifices. Used on Unit Size 105. See Description Codes 81-81E. For Manifold only Less orifices. See Description Code 80.



Example of Burner Rack Only with Flash Carryover and Burners. Used on Unit Size 105. See Description Code 83.



Code 82 — Flash Carryover Assembly.

| CODE | DESCRIPTION   | SIZE                  |                       |                 |                 |                 |
|------|---|-----------------------|-----------------------|-----------------|-----------------|-----------------|
|      |   | 30                    | 45                    | 60              | 75              | 105             |
| 80   | Manifold only, <b>less</b> orifices, <b>less</b> valve.   | ①52588                | 52588<br>②①47832      | 47832           | 47833           | 47834           |
| 81   | Manifold with <b>natural</b> gas burner orifices, <b>less</b> valve for XL, XLB, EEXL, EEXLB.   | ①65195                | ①65194<br>65202       | 50637           | 50638           | 50639           |
| 81A  | Manifold with <b>propane</b> gas burner orifices, <b>less</b> valve for XL, XLB, EEXL, EEXLB.   | ①65197                | 65198<br>③65196       | 65199<br>④50641 | 65200<br>④50642 | 65201<br>④50643 |
| 81B  | Manifold with <b>natural</b> gas burner orifices, <b>less</b> valve for CXL, CXLB.  | 65195                 | 87643                 | 87644           | 87645           | 87646           |
| 81C  | Manifold with <b>propane</b> gas burner orifices, <b>less</b> valve for CXL, CXLB.  | 65197                 | 50640                 | 50641           | 50642           | 50643           |
| 81D  | Manifold with <b>natural</b> gas burner orifices, <b>less</b> valve for CEEXL, CEEXLB.  | 65195                 | 65194                 | 50637           | 50638           | 87647           |
| 81E  | Manifold with <b>propane</b> gas burner orifices, <b>less</b> valve for CEEXL, CEEXLB.  | 65197                 | 65198                 | 65199           | 65200           | 65201           |
| 82   | Flash carryover assemblies  | 47690                 | 47690                 | 63128           | 63131           | 63138           |
| 83   | Burner rack only. Rack includes aluminized steel burners, and flash carryover. <b>Less</b> pilot, <b>less</b> manifold and orifices, <b>less</b> valve <b>Note:</b> This type of burner rack for XL-30 with two burners not available and is not available for AGA model XL-45 prior to XL-45 series 1. | ①47689                | 47689<br>②①40400      | 40400           | 40401           | 40403           |
| 84   | Burner, aluminized steel.   | 32037(3)<br>⑤32037(2) | 32037(3)<br>⑥32037(4) | 32037(4)        | 32037(5)        | 32037(7)        |
| 85   | Burner orifices - See Form 703.   |                       |                       |                 |                 |                 |

① **Not** available for XL30 with two burners and **not** available for XL45 prior to XL45 Series 1.

② Applies to CGA XL45 prior to XL Series 3 with four burners.

③ Applies to XL45 Series 1.

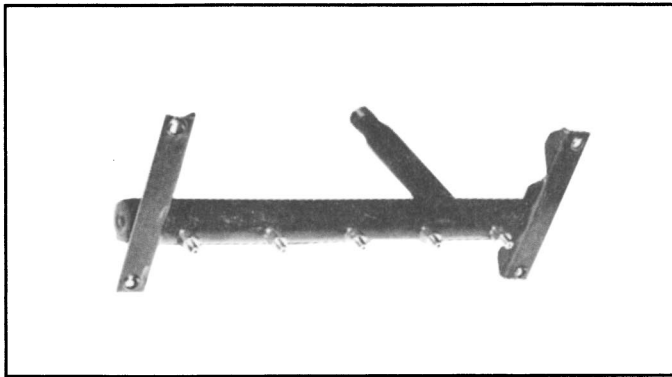
④ Applies to models prior to XL Series 3.

⑤ Applies to XL30 with two burners.

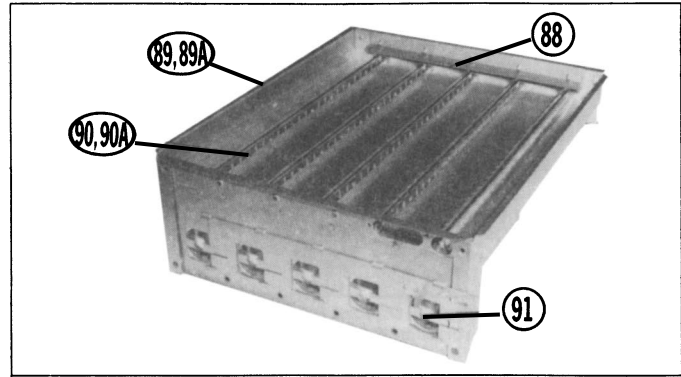
⑥ Applies to XL45 prior to XL45-1.

**Note:** Burners for UA style heaters are **not** available for units manufactured prior to Dec. 1973.

**BURNER RACK AND COMPONENTS FOR XL, XLB, EEXL, EEXLB 125 THRU 400  
AND CXL, CXLB, CEEXL, CEEXLB 125 thru 400**



Example of Manifold with burner Orifices. Used on XL, EEXL, XLB, EEXLB 125. See Description Codes 87-87E. For Manifold Only **Less** Orifices. See Description Code 86.



Example of Burner Rack Only. **Less** Manifold and Orifices, **Less** Pilot, **With** Air Shutters Used on XL, EEXL, XLB, EEXLB 125. See Description Codes 90 and 90A.

| CODE | DESCRIPTION  | CODE | DESCRIPTION  |
|------|--|------|--|
| 86   | Manifold only, <b>less</b> orifices, <b>less</b> valve   | 88R  | Right flash carryover assembly. Sizes 225-400 require one each left and right carryover assembly.  |
| 87   | Manifold with <b>natural</b> gas burner orifices, <b>less</b> valve for XL, XLB, EEXL, EEXLB     | 88C  | Center flash carryover assembly. Sizes 350 and 400 require one each left, right and center carryover assembly.   |
| 87A  | Manifold with <b>propane</b> gas burner orifices, <b>less</b> valve for XL, XLB, EEXL, EEXLB     | 89   | Burner rack only. Rack includes aluminized steel burners, flash carryover, and burner air shutters (on sizes 125 thru 400). <b>Less</b> pilot, <b>less</b> manifold and orifices, <b>less</b> valve. |
| 87B  | Manifold with <b>natural</b> gas burner orifices, <b>less</b> valve for CXL, CXLB                | 89A  | Burner rack only. Same as 89 except equipped with stainless steel burners.   |
| 87C  | Manifold with <b>propane</b> gas burner orifices, <b>less</b> valve for CXL, CXLB                | 90   | Burner, aluminized steel.  |
| 87D  | Manifold with <b>natural</b> gas burner orifices, <b>less</b> valve for CEEXL, CEEXLB            | 90A  | Burner, stainless steel.   |
| 87E  | Manifold with <b>propane</b> gas burner orifices, <b>less</b> valve for CEEXL, CEEXLB            | 91   | Burner air shutters  |
| 88   | Flash carryover assemblies   | 92   | Burner orifices — See Form 703.  |
| 88L  | Left flash carryover assembly. Sizes 225-400 require one each left and right carryover assembly. |      |  |

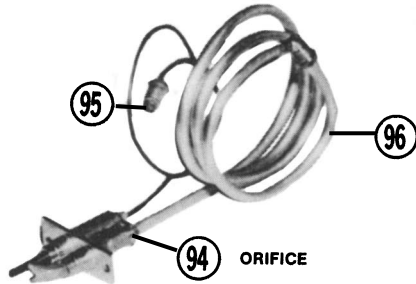
| CODE | SIZE            |                 |          |                 |                 |                 |                 |                 |                 |                 |
|------|-----------------|-----------------|----------|-----------------|-----------------|-----------------|-----------------|-----------------|-----------------|-----------------|
|      | 125             | 140             | 150      | 170             | 200             | 225             | 250             | 300             | 350             | 400             |
| 86   | 84765           | 84765           | 84766    | 84766           | 84767           | 84768           | 84770           | 84771           | 84772           | 84773           |
| 87   | 47224           | 47225           | 65216    | 47226           | 47227           | 47228           | 65206           | 47230           | 47231           | 47232           |
| 87A  | 65207<br>①47233 | 65208<br>①47234 | 65217    | 65209<br>①47235 | 65210<br>①47236 | 65211<br>①47237 | 65212<br>①47238 | 65213<br>①47239 | 65214<br>①47240 | 65215<br>①47241 |
| 87B  | N/A             | 87649           | N/A      | 87650           | 87651           | 87652           | 87653           | 87654           | 87655           | 87656           |
| 87C  | N/A             | 87657           | N/A      | 87658           | 87659           | 87660           | 87661           | 87662           | 87663           | 87664           |
| 87D  | 47224           | 47225           | N/A      | 47226           | 87665           | 87666           | 87667           | 47230           | 47231           | 87668           |
| 87E  | 65207           | 65208           | N/A      | 65209           | 65210           | 65211           | 47238           | 65213           | 65214           | 65215           |
| 88   | 63131           | 63131           | 51545    | 63134           | 63138           | N/A             | N/A             | N/A             | N/A             | N/A             |
| 88L  | N/A             | N/A             | N/A      | N/A             | N/A             | 63144           | 63144           | 63144           | 63144           | 63144           |
| 88R  | N/A             | N/A             | N/A      | N/A             | N/A             | 63141           | 63148           | 63152           | 63148           | 63152           |
| 88C  | N/A             | N/A             | N/A      | N/A             | N/A             | N/A             | N/A             | N/A             | 63156           | 63156           |
| 89   | 67871           | 67871           | 67872    | 67872           | 67873           | 67874           | 67875           | 67876           | 67877           | 67878           |
| 89A  | 67451           | 67451           | 67452    | 67452           | 67453           | 67454           | 67455           | 67456           | 67457           | 67458           |
| 90   | 85218(5)        | 85218(5)        | 85218(6) | 85218(6)        | 85218(7)        | 85218(8)        | 85218(9)        | 85218(11)       | 85218(13)       | 85218(15)       |
| 90A  | 87954(5)        | 87954(5)        | 87954(6) | 87954(6)        | 87954(7)        | 87954(8)        | 87954(9)        | 87954(11)       | 87954(13)       | 87954(15)       |
| 91   | 46171           | 46171           | 46172    | 46172           | 46173           | 46174           | 46175           | 46176           | 46177           | 46178           |

①Applies to Models **prior** to XL Series 3.

# PILOTS

## HORIZONTAL MATCH LIT PILOTS

93. FOR XL, XLB, CXL, CXLB 30 THRU 105



|  |         |         |
|--|---------|---------|
| Replacement Kits<br>(includes Codes<br>93, 95, 96) | Natural | Propane |
|  | 110855  | 110856  |

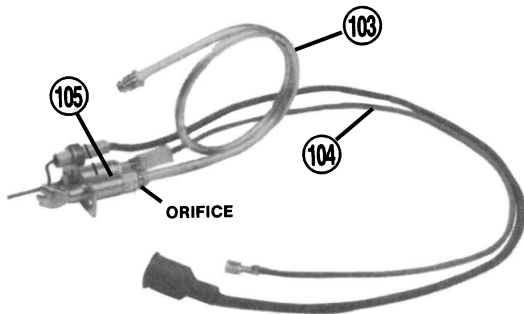
Baso #J999HKA

| Code | Description                              | P/N   |
|------|--|-------|
| 93   | Natural Pilot w/Orifice                  | 40964 |
|      | Propane Pilot w/Orifice                  | 40420 |
| 94   | Natural Pilot <b>Orifice only</b> (4213) | 40966 |
|      | Propane Pilot <b>Orifice only</b> (4207) | 40965 |
| 95   | Thermocouple, TC2-24"                    | 84761 |
| 96   | Pilot Tubing 22" Lg.                     | 5145  |
|      | Nut with breakaway Ferrule (2 required)  | 9664  |

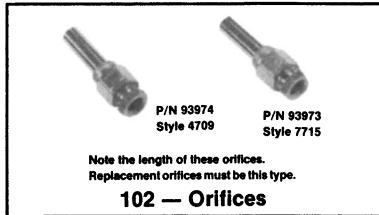
**NOTE:** Match Lit Pilots are used on XL, XLB, CXL, CXLB units with heater serial number safety pilot code 31.

## HORIZONTAL SPARK PILOTS

101. EEXL, EEXLB, CEEXL, CEEXLB 30 THRU 105 AND XL, CXL, CXLB, XLB 30 THRU 105 WITH OPTIONS AH2 AND AH3.



|   |         |         |
|---|---------|---------|
| Replacement Kits<br>(includes Codes 101, 103, 104, 105) | Natural | Propane |
|   | 110857  | 110858  |



102 — Orifices

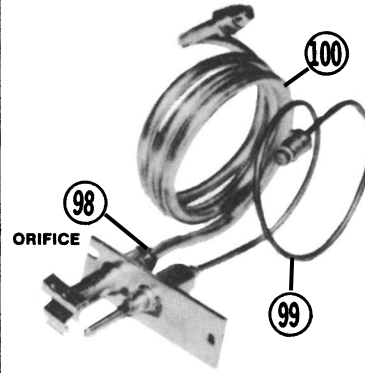
Baso #J983HKW-7715

| Code | Description   | P/N   |
|------|---|-------|
| 101  | Natural Pilot w/Orifice (Less Pilot Tubing and Flame Sensor Lead)                 | 93971 |
|      | Propane Pilot w/Orifice (Less Pilot Tubing and Flame Sensor Lead) (#J983HKW-4709) | 93972 |
| 102  | Natural Pilot <b>Orifice only</b> (7715)  | 93973 |
|      | Propane Pilot <b>Orifice only</b> (4709)  | 93974 |
| 103  | Pilot Tubing 22" Lg.  | 5145  |
|      | Nut with breakaway Ferrule (2 required)   | 9664  |
| 104  | Sensor Lead 16" Lg.   | 50450 |
| 105  | Flame Probe Y75BA-3   | 43594 |

Above Pilot Replaces Baso #J987HKW, Natural Gas P/N 50449 and Propane P/N 51330 and General Controls #26C27113, Natural Gas P/N 73614 and Propane Gas P/N 73615.

**NOTE:** Spark Pilots are used on EEXL, EEXLB, CEEXL, CEESLB and XL, XLB, CXL, CXLB units with heater serial number safety pilot codes 40, 41.

97. FOR XL, XLB, CXL, CXLB 125 THRU 400



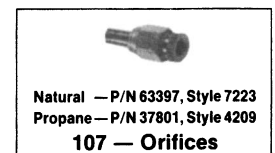
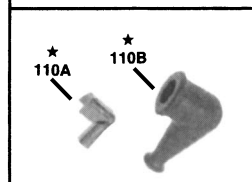
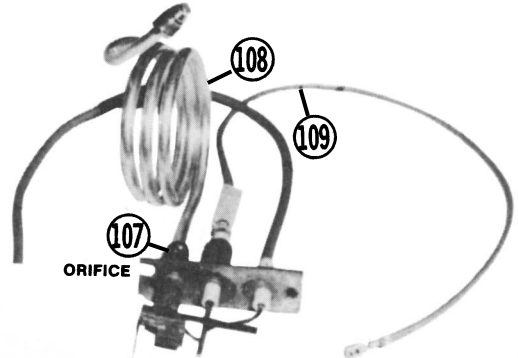
|  |         |         |
|--|---------|---------|
| Replacement Kits<br>(includes Codes 97, 99, 100) | Natural | Propane |
|  | 110859  | 110860  |

Baso #J963HXA

| Code | Description                                     | P/N   |
|------|---|-------|
| 97   | Natural Pilot w/Orifice                         | 17890 |
|      | Propane Pilot w/Orifice                         | 46136 |
| 98   | Natural Pilot <b>Orifice</b> (6218) <b>only</b> | 46392 |
|      | Propane Pilot <b>Orifice</b> (4211) <b>only</b> | 42089 |
| 99   | Thermocouple, TC2-18"                           | 84760 |
| 100  | Pilot Tubing 22" Lg.                            | 5145  |
|      | Nut with breakaway Ferrule (2 required)         | 9664  |

Substitution — Complete Propane Pilot Must be Used in Place of General Controls #26C23114

106. EEXL, EEXLB, CEEXL, CEEXLB AND XL, CXL, XLB, CXLB 125 THRU 400 WITH OPTIONS AH2 AND AH3.



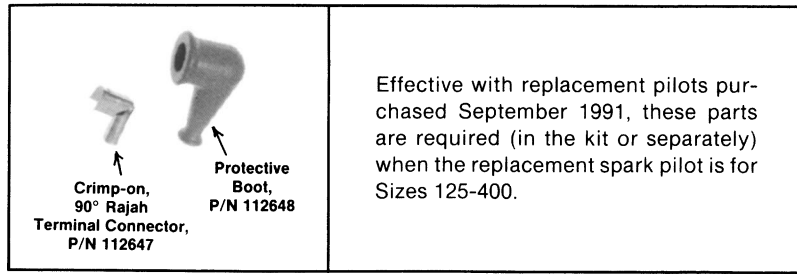
|  |         |         |
|--|---------|---------|
| Replacement Kits<br>(include Codes 106, 108, 109, 110) | Natural | Propane |
|  | 110861  | 110862  |

Baso #J992HXW with Built-In Flame Probe

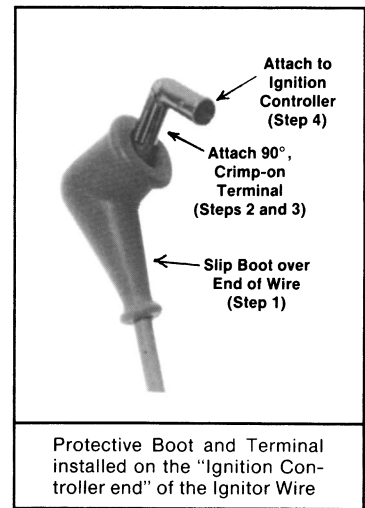
| Code  | Description                              | P/N                          |        |
|-------|--|------------------------------|--------|
| 106   | Natural Pilot w/Orifice                  | 61145                        |        |
|       | Propane Pilot w/Orifice                  | 61146                        |        |
| 107   | Natural Pilot <b>Orifice only</b> (7223) | 63397                        |        |
|       | Propane Pilot <b>Orifice only</b> (4209) | 37801                        |        |
| 108   | Pilot Tubing 22" Lg.                     | 5145                         |        |
|       | Nut with breakaway Ferrule (2 required)  | 9664                         |        |
| 109   | Sensor Lead 16"                          | 50450                        |        |
| 110A★ | Crimp-on, 90° Rajah terminal connector   | See instructions on page 18. | 112647 |
| 110B★ | 90° Boot terminal protector              |                              | 112648 |

Above Pilot Replaces Baso #J994HXW, Natural P/N 47303 and Propane P/N 47384 and Baso #J991XXW Natural P/N 45410 and Propane P/N 45414.

## INSTRUCTIONS for connecting ignitor lead on replacement spark pilots Code 106



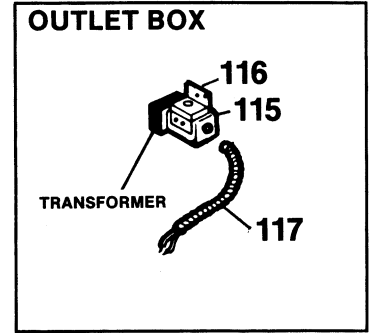
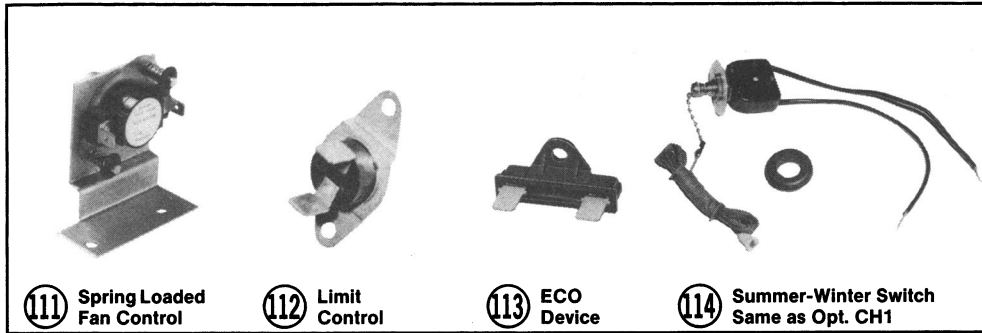
1. Identify the ignitor wire attached to the pilot electrode. Slip the 90° protective boot on to the wire, as illustrated.
2. On the "open" leg of the 90° crimp-on terminal (P/N 112647), locate a flat, triangular spike tab pre-punched in the metal. With the tip of a small, straight screwdriver, force the spike tab toward the inside of the connector. Straighten the tab to a vertical position.
3. Insert the ignitor wire into that same connector leg (just to the 90° bend) and push the wire onto the protruding spike tab, making sure that the tab penetrates the insulation. (Do not strip the ignitor wire.) Using a crimping tool or pliers, squeeze the sides of the terminal to form a "C" shape. The ignitor wire should now be firmly held by the terminal.
4. Slide the protective boot over the terminal. Holding the boot, attach the 90° Rajah terminal to the ignitor lead Rajah connector on the Model G60 or G67BG/NG-2 Ignition Controller.



**REPLACEMENT VALVES — For additional information on control valves, safety pilots and ignition systems, see Form 714.**

| DESCRIPTION — ALL MODELS   | SIZES  |         |
|--|--------|---------|
|  | 30-250 | 300-400 |
| Manual shut off valve and union for <b>natural gas</b> units.<br>Same as Option CE1  | 15971  | 15972   |
| Manual shut off valve and union for <b>propane gas</b> units.<br>Same as Option CE2. | 15971  | 15971   |

**CONTROL SWITCHES AND OUTLET BOXES**




| CODE | DESCRIPTION   | SIZE  |                 |       |       |       |
|------|---|-------|-----------------|-------|-------|-------|
|      |   | 30    | 45              | 60    | 75    | 105   |
| 111  | Spring-loaded fan control F-150   | 93629 | 93629           | 93629 | 93629 | 93629 |
| 112  | Limit control — See Parts Form 713  |       |                 |       |       |       |
| 113  | ECO (Energy Cut Off) device   | 82414 | 82414           | 82414 | 82414 | 82414 |
| 114  | Summer/winter switch  | 15802 | 15802           | 15802 | 15802 | 15802 |
| 115  | Outlet box <b>less</b> cover XL, CXL (2 x 4 box)                                  | 48693 | 48693           | 48693 | 48693 | 48693 |
| 115A | Outlet box cover XL, CXL  | 48705 | 48705           | 48705 | 48705 | 48705 |
| 115B | Outlet box — CEEXL and XL, CXL with summer/winter switch (Opt. CH1) — (4 x 4 box) | 19210 | 19210           | 19210 | 19210 | 19210 |
| 115C | Outlet box cover — CEEXL and XL, CXL with summer/winter switch (Opt. CH1)         | 17320 | 17320           | 17320 | 17320 | 17320 |
| 115D | Outlet box assembly — XLB, CXLB, CEEXLB (4 x 4 box)                               | 90937 | 90937           | 90937 | 90937 | 90937 |
| 115E | Outlet box cover — XLB, CXLB, CEEXLB  | 17320 | 17320           | 17320 | 17320 | 17320 |
| 116  | Outlet box bracket  | 44908 | 44908           | 44908 | 44908 | 44908 |
| 117  | Fan and limit wire and cable  | 52627 | 52627<br>*47786 | 47786 | 47786 | 47789 |

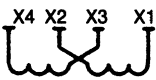
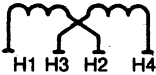
\*Applies to AGA XL45 **prior** to XL Series 1 and to CGA XL45 **prior** to Series 3.

| CODE | SIZE                                     |       |       |       |       |       |       |       |       |       |
|------|--|-------|-------|-------|-------|-------|-------|-------|-------|-------|
|      | 125                                      | 140   | 150   | 170   | 200   | 225   | 250   | 300   | 350   | 400   |
| 111  | Fan Control — part numbers on page 13.   |       |       |       |       |       |       |       |       |       |
| 112  | Limit Control — part numbers on page 13. |       |       |       |       |       |       |       |       |       |
| 113  | 82414                                    | 82414 | 82414 | 82414 | 82414 | 82414 | 82414 | 82414 | 82414 | 82414 |
| 114  | 15802                                    | 15802 | 15802 | 15802 | 15802 | 15802 | 15802 | 15803 | 15803 | 15803 |
| 115  | 48693                                    | 48693 | 48693 | 48693 | 48693 | 48693 | 48693 | 48693 | 48693 | 48693 |
| 115A | 48705                                    | 48705 | 48705 | 48705 | 48705 | 48705 | 48705 | 48705 | 48705 | 48705 |
| 115B | 17782                                    | 17782 | 17782 | 17782 | 17782 | 17782 | 17782 | 17782 | 17782 | 17782 |
| 115C | 17800                                    | 17800 | 17800 | 17800 | 17800 | 17800 | 17800 | 17800 | 17800 | 17800 |
| 115D | 52716                                    | 52716 | 52716 | 52716 | 52716 | 52716 | 52716 | 52716 | 52716 | 52716 |
| 115E | 9546                                     | 9546  | 9546  | 9546  | 9546  | 9546  | 9546  | 9546  | 9546  | 9546  |
| 116  | 44908                                    | 44908 | 44908 | 44908 | 44908 | 44908 | 44908 | 44908 | 44908 | 44908 |
| 117  | 45995                                    | 45995 | 45996 | 45996 | 45996 | 46369 | 45998 | 45995 | 45996 | 45996 |

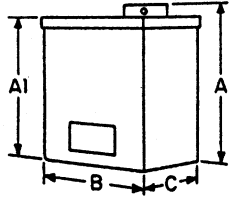
| DESCRIPTION OF CONTROL TRANSFORMERS FOR ALL MODELS AND SIZES  | PART NO.   |
|---|--|
| Transformer, 115/24/20VA  | 103054<br>(replaces 50674)<br>Basler #BE121625-WAR |
| Transformer, 115/24/40VA, used on units equipped with a combination of options that require a 40VA transformer.     | 103055<br>(replaces 60368)<br>Basler #BE141650-WAA |
| Transformer, 220/24/20VA  | 62822  |
| Transformer, 208/220/24/40VA, used on units equipped with a combination of options that require a 40VA transformer. | 103497<br>(replaces 60369)<br>Basler #BE21539001   |
| Transformer, 480/24/40VA  | 103498<br>(replaces 60370)<br>Basler #BE23975001   |

**KVA Transformers (Option CG and CF)**



|  | volts | connections  | line  |
|--|-------|--------------|-------|
| <br>IN  | 480   | H2 H3        | H1-H4 |
|  | 240   | H1 H3, H2 H4 | H1-H4 |
| <br>OUT | 240   | X2 X3        | X1-X4 |
|  | 120   | X1 X3, X2 X4 | X1-X4 |

**Dimensions, Inches  
2 Kva and Below, Single Phase**



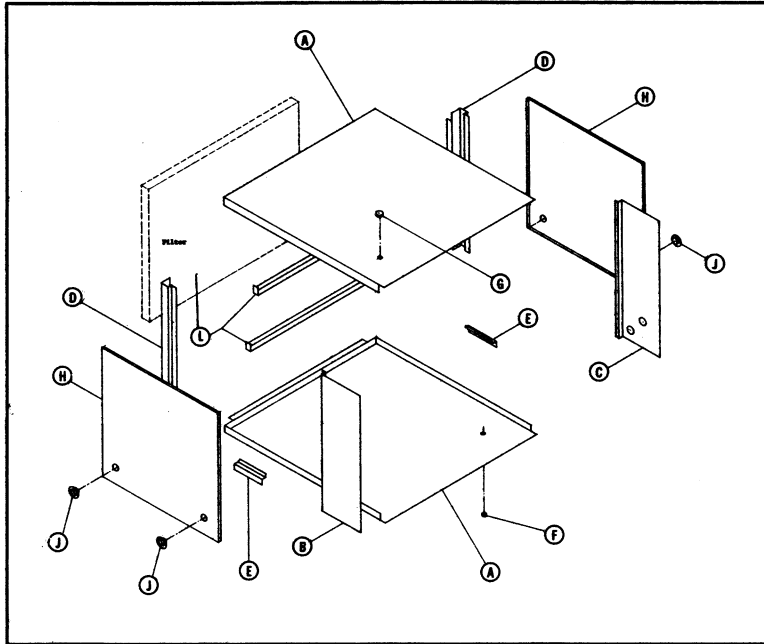
| Kva   | Dimension                       |                                  |                               |                               | Net Wt.: Lbs. |
|-------|---------------------------------|----------------------------------|-------------------------------|-------------------------------|---------------|
|       | A                               | A1                               | B                             | C                             |               |
| 1/2   | 7 <sup>1</sup> / <sub>16</sub>  | 6 <sup>3</sup> / <sub>8</sub>    | 4 <sup>7</sup> / <sub>8</sub> | 4 <sup>5</sup> / <sub>8</sub> | 13            |
| 3/4   | 7 <sup>3</sup> / <sub>8</sub> ① | 6 <sup>1</sup> / <sub>16</sub> ① | 6                             | 5 <sup>1</sup> / <sub>2</sub> | 20            |
| 1     | 8 <sup>3</sup> / <sub>8</sub> ① | 7 <sup>1</sup> / <sub>16</sub> ① | 6                             | 5 <sup>1</sup> / <sub>2</sub> | 26            |
| 1 1/2 | 9 <sup>1</sup> / <sub>2</sub> ① | 8 <sup>3</sup> / <sub>16</sub> ① | 6 <sup>3</sup> / <sub>8</sub> | 6 <sup>1</sup> / <sub>8</sub> | 36            |

①Add "1" to above dimensions A and A1 for Catalog Numbers 6E 218, 6E 219, 6E 220, 6E 221, 6E 215.

| Volts In   | Volts Out  | KVA | Manufacturer and Number | Reznor Part No. | Applies To:   |
|------------|------------|-----|-------------------------|-----------------|---|
| 480 or 240 | 240 or 120 | .50 | Westinghouse 6E191      | 11100           | XL, CXL 30-225 with gravity venting   |
| 480 or 240 | 240 or 120 | .75 | Westinghouse 6E192      | 11217           | EEXL, CEEXL 30-225<br>XL, CXL 30-225 with optional power venter<br>XL, CXL 250-300 with gravity venting   |
| 480 or 240 | 240 or 120 | 1.0 | Westinghouse 6E193      | 16065           | EEXL, CEEXL 250-300<br>XL, CXL 250-300 with optional power venter<br>XL, CXL 350-400 with gravity venting |
| 480 or 240 | 240 or 120 | 1.5 | Westinghouse 6E194      | 24392           | EEXL, CEEXL 350-400<br>XL, CXL 350-400 with optional power venter   |



**BLOWER CABINET FOR XLB, CXLB, EEXLB, CEEXLB 30 THRU 105**



| CODE                             | DESCRIPTION     | 30-45     | 60        | 75        | 105       |
|----------------------------------|-----------------|-----------|-----------|-----------|-----------|
| A                                | Top & Bottom    | 82178     | 82179     | 82180     | 82181     |
| B                                | Left Front Leg  | 82182     | 82182     | 82182     | 82182     |
| C                                | Right Front Leg | 82183     | 82183     | 82183     | 82183     |
| D                                | Rear Leg        | 82184     | 82184     | 82184     | 82184     |
| E                                | Stop            | 82185     | 82185     | 82185     | 82185     |
| F                                | Snap Bushing    | 29871     | 29871     | 29871     | 29871     |
| G                                | Hole Plug       | 82413     | 82413     | 82413     | 82413     |
| H                                | Door            | 82176     | 82176     | 82176     | 82176     |
| J                                | Plastic Plug    | 82177     | 82177     | 82177     | 82177     |
| K                                | Screw #10-1/2   | 11813(22) | 11813(22) | 11813(22) | 11813(24) |
| Filter Rack Assy                 | Includes filter | N/A       | 82204     | 82205     | 82206     |
|                                  | Filter only     | N/A       | 82189     | 82190     | 82191     |
| Complete Blower Cabinet Assembly |                 | 82200     | 82201     | 82202     | 82203     |

## OUTLET NOZZLES

**NOTE:** Do not use vertical louvers in combination with horizontal louvers and 60° nozzle on fan type units. Do not use nozzle on 30 thru 105 fan type units.

**OUTLET NOZZLE OPTIONS DO NOT INCLUDE LOUVERS.** Standard horizontal louvers supplied with unit are to be installed in nozzle outlet. Option vertical louvers may be added for additional air pattern spread.

| CODE | DESCRIPTION | SIZE  |       |       |       |       |
|------|-------------|-------|-------|-------|-------|-------|
|      |             | 30    | 45    | 60    | 75    | 105   |
| 118  | Nozzles 30° | 82212 | 82212 | 82213 | 82214 | 82215 |
| 119  | Nozzles 60° | 82216 | 82216 | 82217 | 82218 | 82219 |

| CODE | 125   | 140   | 150   | 170   | 200   | 225   | 250   | 300   | 350   | 400   |
|------|-------|-------|-------|-------|-------|-------|-------|-------|-------|-------|
| 118  | 51847 | 51847 | 51848 | 51848 | 51849 | 51850 | 51851 | 51852 | 51853 | 51854 |
| 119  | 51855 | 51855 | 51856 | 51856 | 51857 | 51858 | 51859 | 51860 | 51861 | 51862 |

### POLYTUBE OUTLET NOZZLE — Same as Option CD6

| ITEM NO. | PARTS LIST FOR OPTION CD6                               | OPT. NO. MODEL | P/N 82055<br>OPT. CD6 FOR<br>MODEL 170<br>CONSISTING OF |           | P/N 82061<br>OPT. CD6 FOR<br>MODEL 250<br>CONSISTING OF |           | P/N 82062<br>OPT. CD6 FOR<br>MODEL 400<br>CONSISTING OF |           |
|----------|---|----------------|---|-----------|---|-----------|---|-----------|
|          |   |                | PART NO.  | NO. REQD. | PART NO.  | NO. REQD. | PART NO.  | NO. REQD. |
| A        | Left Adapter Side                                       |                | 82056   | 1         | 74216   | 1         | 82063   | 1         |
| B        | Right Adapter Side                                      |                | 82057   | 1         | 74216   | 1         | 82064   | 1         |
| C        | Gasket  |                | 82060   | 2         | 74219   | 2         | 82067   | 2         |
| D        | Adapter Top   |                | 82058   | 1         | 74217   | 1         | 82065   | 1         |
| E        | Adapter Bottom  |                | 82059   | 1         | 74218   | 1         | 82066   | 1         |
| F        | Discharge Panel Assembly                                |                | 74220   | 1         | 74220   | 1         | 74220   | 1         |
| G        | Discharge Duct Collar Clamp                             |                | 50901   | 1         | 50901   | 1         | 50901   | 1         |
| H        | #10 <sup>3</sup> / <sub>4</sub> " Lg. Sheet Metal Screw |                | 20859   | 1         | 20859   | 1         | 20859   | 1         |
| J        | #10 <sup>1</sup> / <sub>2</sub> " Lg. Sheet Metal Screw |                | 11813   | 42        | 11813   | 42        | 11813   | 43        |

**VENTERS AND VENTER ADAPTERS FOR USE WITH GRAVITY VENTED UNITS — XL, CXL, XLB, CXLB**

| <b>DELUXE VENTER</b>                                    |       |
|---|-------|
| Venter Adapter must be added.                           |       |
| Series V301 used on gravity vented heater sizes 30-300  |       |
| Series V401 used on gravity vented heater sizes 350-400 |       |
| SIZE  | P/N   |
| V301 (115V)   | 29991 |
| V301B (208V)  | 30228 |
| V301H (230V)  | 30230 |
| LV301 (115/24V)   | 29992 |
| LV301B (208/24V)  | 30229 |
| LV301H (230/24V)  | 30231 |
| V401 (115V)   | 29993 |
| V401B (208V)  | 30232 |
| V401H (230V)  | 30234 |
| LV401 (115/24V)   | 29994 |
| LV401B (208/24V)  | 30233 |
| LV401H (230/24V)  | 30235 |

**NOTE:** Venter adapters **MUST** be used to connect Venter to heater flue. All adapters have built-in restrictor to control combustion gas flow through the heat exchanger for greatest efficiency.

**VENTER ADAPTERS**

| SIZE | PART NO. |
|------|----------|
| 30   | 6838     |
| 45   | 6838     |
| 60   | 6838     |
| 75   | 6534     |
| 105  | 20901    |
| 125  | 6539     |
| 140  | 6539     |
| 150  | 6539     |
| 170  | 6542     |
| 200  | 6542     |
| 225  | 12730    |
| 250  | 12730    |
| 300  | 24017    |
| 350  | 46163    |
| 400  | 46163    |

**EXAMPLE OF VENTER OPTION**

**EXAMPLE OF VENTER ADAPTER**

| <b>OVERALL (Inches)</b> |       |        |        |
|-------------------------|-------|--------|--------|
| SERIES                  | HIGH  | WIDE   | LONG   |
| 301                     | 7 1/2 | 10     | 7 1/16 |
| 401                     | 9 5/8 | 10 5/8 | 8 1/2  |

**HANGER KITS**

**120. TWO-POINT PIPE HANGER KIT FOR XL, CXL, EEXL, CEEXL 30 thru 105. SAME AS OPTION CK1 (P/N 50703)**  
 Kit includes 1" pipe couplings and 6" 3/8-16 bolts to extend swivel coupling above draft diverter.

**TWO-POINT HANGER KIT FOR XL, CXL, EEXL, CEEXL 125 THRU 400, SAME AS OPTION CK2 (P/N 46240)**  
 Kit includes 2 swivel hangers and 2 hanger brackets.

**121. FOUR-POINT PIPE HANGER KIT FOR ALL MODEL UNIT HEATERS, SIZES 30-105, SAME AS OPTION CK3 (P/N 74142)**  
 Kit includes (4) 1" female couplings and (4) 3/8-10 x 6" long rods (with lockwashers and nuts) to extend swivel coupling above draft diverter.

**FOUR-POINT PIPE HANGER KIT FOR ALL MODEL UNIT HEATERS, SIZES 125-400, SAME AS OPTION CK6 (P/N 53032)**  
 Kit includes (4) 1" female pipe couplings and (4) 3/8-10 x 12" long rods (with lockwashers and nuts) to extend swivel coupling above draft diverter.

**Note:** Order replacement parts by Reznor part number.

| CODE | DESCRIPTION                                 | SIZE  |       |       |       |       |
|------|---|-------|-------|-------|-------|-------|
|      |   | 30    | 45    | 60    | 75    | 105   |
| 120  | Two-point Hanger Kit — XL, CXL, EEXL, CEEXL | 50703 | 50703 | 50703 | 50703 | 50703 |
| 121  | Four-point Hanger Kit — All Models          | 74142 | 74142 | 74142 | 74142 | 74142 |

| CODE | SIZE  |       |       |       |       |       |       |       |       |       |
|------|-------|-------|-------|-------|-------|-------|-------|-------|-------|-------|
|      | 125   | 140   | 150   | 170   | 200   | 225   | 250   | 300   | 350   | 400   |
| 120  | 46240 | 46240 | 46240 | 46240 | 46240 | 46240 | 46240 | 46240 | 46240 | 46240 |
| 121  | 53032 | 53032 | 53032 | 53032 | 53032 | 53032 | 53032 | 53032 | 53032 | 53032 |

